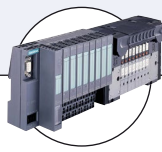
**Type 6223**

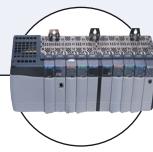
Solenoid control valve

**Type 8693**

Digital process controller

**Type 8644**

Valve islands

**PLC**

Full bore magmeter

- Combination of magflowsensor fitting S054 or S055 and electronics SE56
- Continuous measurement or Batch Control
- Version without (S054) or with (S055) flanges
- For water treatment and general purpose applications

The complete full bore magflowmeter Type 8054/8055, which consists of a magnetic sensor fitting Type S054 or S055 connected to an electronics Type SE56 (blind in compact version or with display in compact or remote version), is designed for applications with liquids with a minimum conductivity of 5 $\mu\text{S}/\text{cm}$.

Combined with a valve as the actuating element, the complete full bore magflowmeter Type 8054/8055 can control high-precision dosing operations and flow measurements in potable water treatment and waste water treatment.

General data - S054/S055 sensor fitting

Compatibility	SE56 electronics (see corresponding data sheet)
Materials	
Body	Carbon steel painted [or stainless steel 304 or 316]*
Electrode (3 in standard)	Stainless steel 316L [or Hastelloy C, Titanium, Tantalum, Platinum-rhodium]*
Lining	PP (max. 16 bar), ebonite [or PTFE]*
Seal	FKM or EPDM* (with PP lining) [or without gasket (with Ebonite or PTFE lining)]
Electrical connection	2 cable glands PG 9
Data complete flowmeter 8054/8055 - (S054/S055 sensor fitting + SE56 electronics)	
Pipe diameter	DN25...DN200 [to DN2000]*
Measuring range	0 ... 0.72 m ³ /h to 0 ... 1130 m ³ /h
Process connection	S054: wafer - S055: Flange EN1092-1, ANSI B16-5, [JIS]*
Medium temperature	see medium temperature chart on page 3
Medium pressure max.	PN16 (232 PSI) (with PP lining) or [up to PN64 (928 PSI) (with Ebonite or PTFE lining)]*
Vacuum resistance	200 mbar (2.9 PSI) absolute at 100 °C (212 °F)
Measurement deviation^{1) 2)}	$\pm 0.2\%$ of reading (SE56 standard; SE56 blind) $\pm 0.8\%$ of reading (SE56 basic)
Repeatability	$\pm 0.1\%$ (SE56 standard; SE56 blind) $\pm 0.2\%$ (SE56 basic)
Minimum conductivity	5 $\mu\text{S}/\text{cm}$ (or 20 $\mu\text{S}/\text{cm}$ with demineralized water)

* on request

¹⁾ under reference conditions: water temperature = 20 °C, ambient temperature = 25 °C, constant flow rate during the test, liquid speed > 1 m/s

²⁾ = "measurement bias" as defined in the standard JCGM 200:2012

Environment	
Ambient temperature with	
SE56 standard	-20 ... +60 °C (-4... +140 °F) (operating and storage)
SE56 basic	-10 ... +50 °C (+14... +122 °F) (operating), -20 ... +50 °C (-4... +122 °F) (storage)
SE56 blind	-20 ... +40 °C (-4... +104 °F) (operating and storage)
Standards, directives and certifications	
Protection class	IP65 and IP67 (compact version, SE56 standard or SE56 blind); IP65 (remote version, SE56 standard), IP68 (remote version and junction box filled with resin, SE56 standard); IP65 (compact version, SE56 basic)
Standards and directives CE	The applied standards, which verify conformity with the EU Directives, can be found on the EU Type Examination Certificate and/or the EU Declaration of conformity (if applicable)

Ordering information for complete flowmeter Type 8054/8055

A complete flowmeter Type 8054 respectively 8055 consists of a sensor fitting S054 or S055 and an electronics SE56.

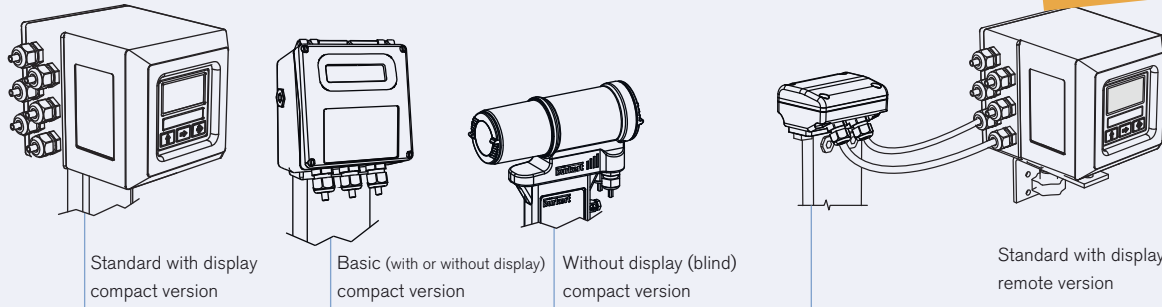
The following information is necessary for the selection of a complete flowmeter:

- **article no.** of the sensor fitting **Type S054 or S055** (see Ordering Chart on page 6)
- **article no.** of the electronics **Type SE56** (see corresponding data sheet or Ordering chart on page 7)

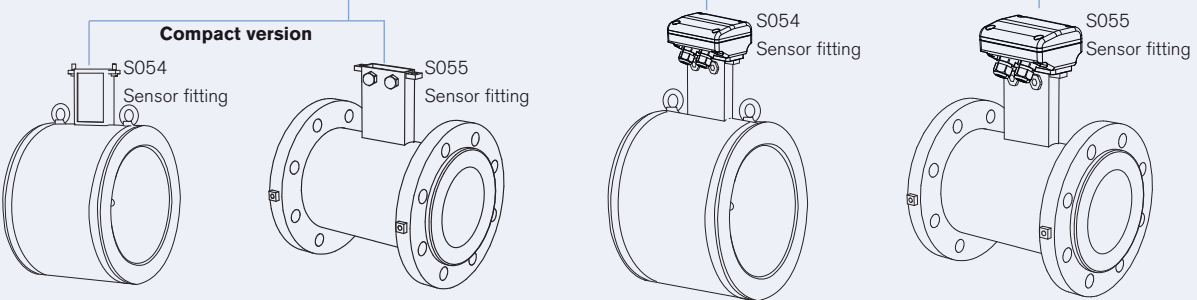
More info.
For more technical information about this product, click on this box... you will come to our website for this product where you can download the datasheet.

Examples for variations of complete flowmeter (electronics + sensor fitting)

Electronics Type SE56



Sensor fitting Type S054 or S055



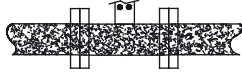
Design and operating principle

The sensor fitting Type S054 or S055 consists of a stainless steel pipe section internally lined with insulating material. Two electrodes mounted opposite to each other on the internal surface of the tube generate an electrical signal. The coils generating the magnetic field are placed outside the pipe. The signal generated by the sensor fitting S054 or S055 must be amplified and processed by an electronics (SE56) which outputs an electrical signal proportional to the fluid flow velocity respectively to the flow rate. Faraday's induction law is the basis for this magnetic flow measurement.

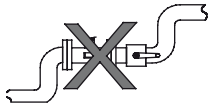
Installation



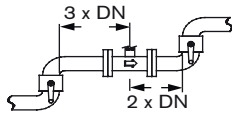
Avoid the functioning with the pipe partially filled.



During flowmeter operation the pipe must be completely full.

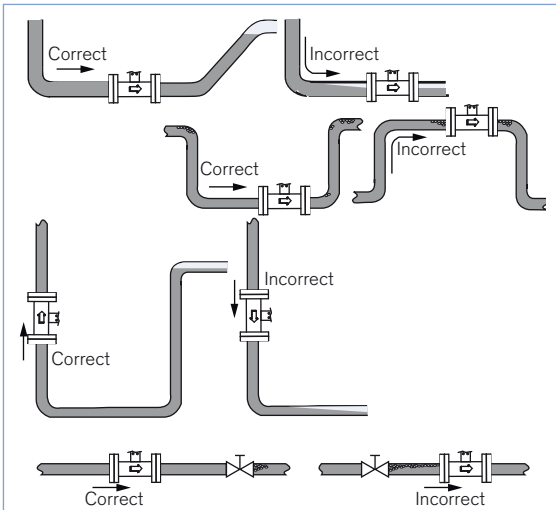


Avoid the installation near curves or hydraulic accessories.



Observe the upstream and downstream distances.

The sensor fitting can be installed into either horizontal or vertical pipes. Mount the sensor fitting in the below as correct indicated ways to obtain an accurate flow measurement.



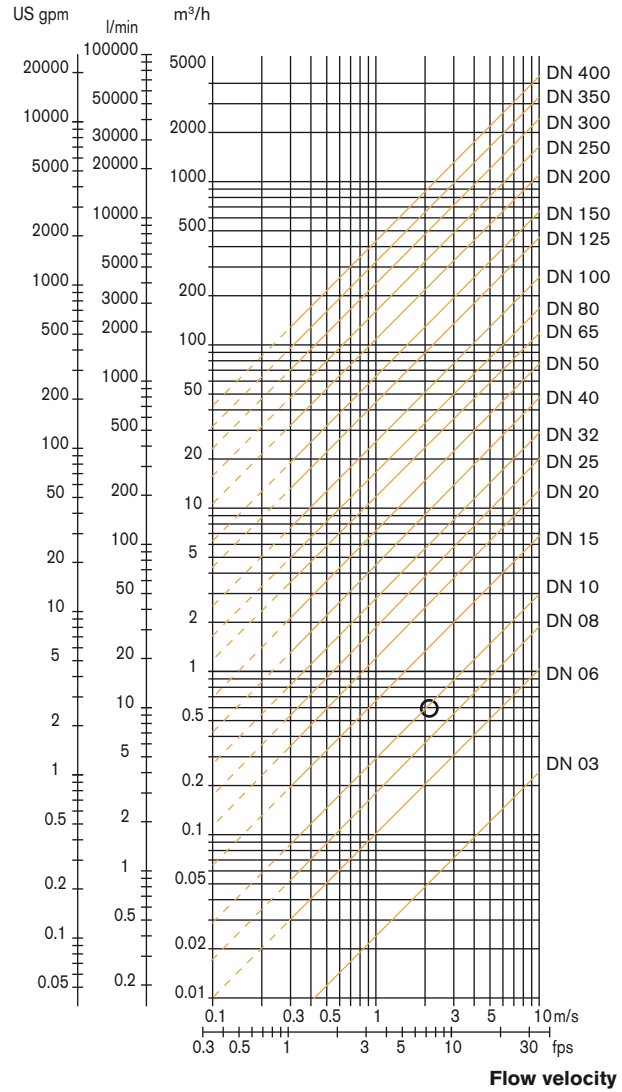
The suitable pipe size is selected using the diagram Flow/Velocity/DN (see diagram to the right).
The flow sensor fitting is not designed for gas flow measurement.

Flow/Velocity/DN diagram

Example:







- Flow: 10 l/min
- Ideal flow velocity: 2 ... 3 m/s
- For these specifications, the diagram indicates a pipe size of DN10

Flow rate



DTS 1000101296 EN Version: N Status: RL (released | freigegeben | valide) printed: 15.03.2018

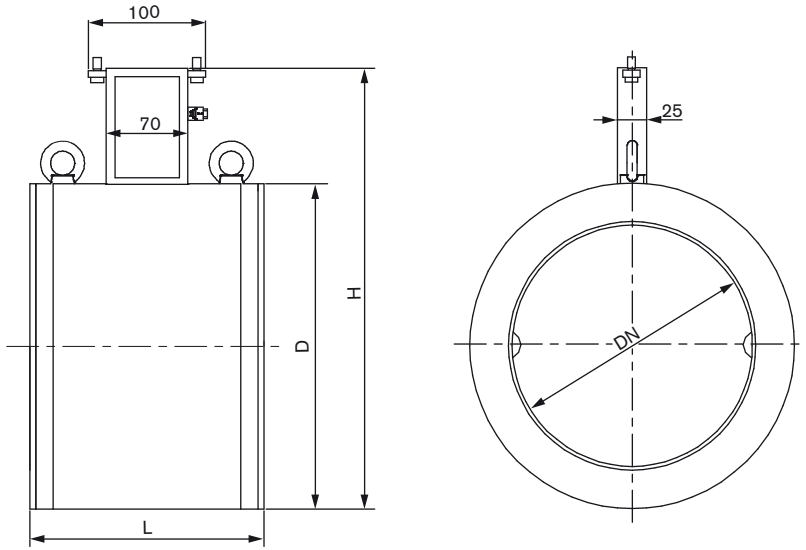
Medium temperature chart

		SE56 standard compact 	SE56 standard remote 	SE56 basic compact 	SE56 blind compact 
	S054 or S055 Sensor fitting (with PP lining)	0 ... +60 °C (32 ... +140 °F)	0 ... +60 °C (32 ... +140 °F)	0 ... +60 °C (32 ... +140 °F)	0 ... +60 °C (32 ... +140 °F)
	S054 or S055 Sensor fitting (with PTFE lining)	-20 ... +100 °C (-4 ... +212 °F)	-20 ... +130 °C (-4 ... +266 °F)	-10 ... +100 °C (14 ... +212 °F)	-20 ... +100 °C (-4 ... +212 °F)

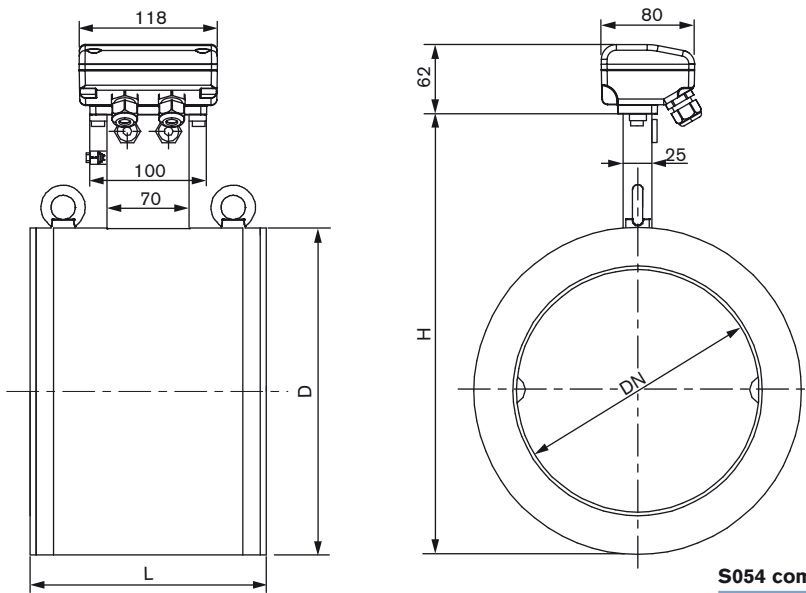
Dimensions [mm] of Type S054 sensor fitting - wafer version

NOTE: Dimensions of SE56 electronics, see corresponding data sheet.

Compact version



Remote version, with junction box



S054 compact or remote

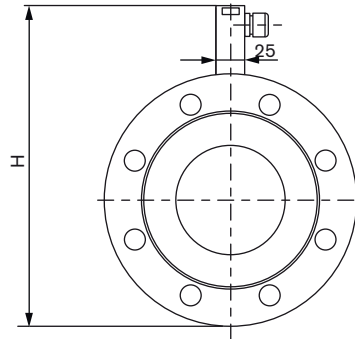
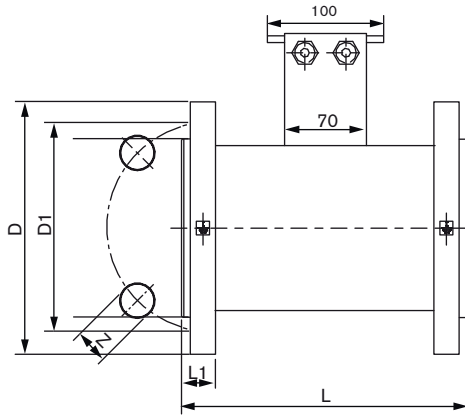
DN	L*	H	D
25	100	147	56
32	100	153	62
40	100	161	70
50	100	177	86
65	150	199	108
80	150	209	118
100	150	235	144
125	180	263	172
150	180	291	200
200	200	362	271

* tolerance +0 mm
-3 mm

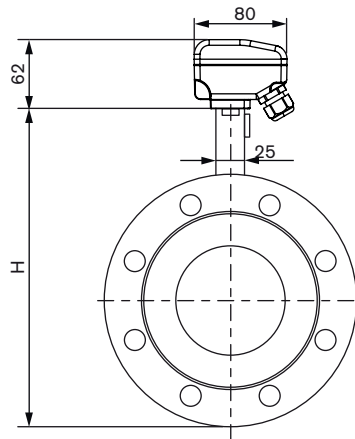
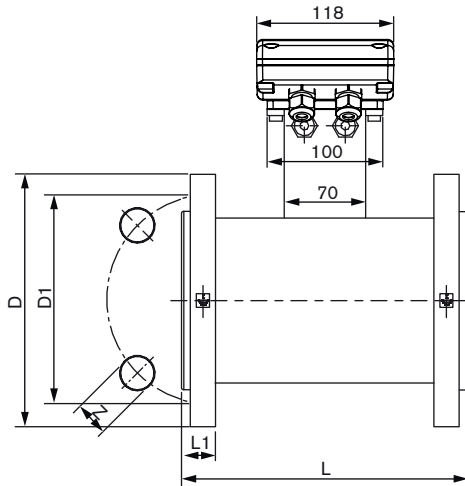
Dimensions [mm] of Type S055 sensor fitting - flanges version

NOTE: Dimensions of SE56 electronics, see corresponding data sheet.

Compact version



Remote version, with junction box



S055 compact or remote, with flanges PN16

DN	H	L	Standard	L1	Z	D1	D
25	185	200	EN1092-1	18	4 × 14	85	115
	182		ANSI 150 RF	16.3	4 × 15.9	79.4	107.9
32	203	200	EN1092-1	18	4 × 18	100	140
	192		ANSI 150 RF	17.9	4 × 15.9	88.9	117.5
40	213	200	EN1092-1	18	4 × 18	110	150
	202		ANSI 150 RF	19.5	4 × 15.9	98.4	127
50	228	200	EN1092-1	18	4 × 18	125	165
	222		ANSI 150 RF	21.1	4 × 19	120.7	152.4
65	248	200	EN1092-1	18	4 × 18	145	185
	245		ANSI 150 RF	24.3	4 × 19	139.7	177.8
80	263	200	EN1092-1	20	8 × 18	160	200
	258		ANSI 150 RF	25.9	4 × 19	152.4	190.5
100	283	250	EN1092-1	20	8 × 18	180	220
	287		ANSI 150 RF	25.9	8 × 19	190.5	228.6
125	313	250	EN1092-1	22	8 × 18	210	250
	315		ANSI 150 RF	25.9	8 × 22.2	215.9	254
150	344	300	EN1092-1	22	8 × 22	240	285
	341		ANSI 150 RF	27.4	8 × 22.2	241.3	279.4
200	399	350	EN1092-1	24	12 × 22	295	340
	401		ANSI 150 RF	30.6	8 × 22.2	298.5	342.9

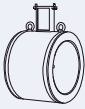
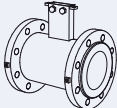
Ordering chart for flowmeter 8054/8055

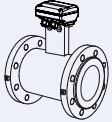
A complete flowmeter Type 8054/8055 consists of:

- a sensor fitting, wafer version Type S054 or flanges version Type S055
- an electronics Type SE56

Please order the relevant sensor fitting and the electronics separately!

Sensor fitting Type S054 or S055

Description	DN [mm]	Process connection	Flow rate range [m ³ /h]		Body material	Number of electrodes	Electrode material	Material: Lining/Seal	Article no.
			min. 0...0.4 m/s	max. 0...10 m/s					
Type S054 Compact version 	25	Wafer type	0 ... 0.72	0 ... 18	Carbon steel	3 (2 measure + 1 for ground)	SS 316L	PP/FKM	554532
	32	Wafer type	0 ... 1.16	0 ... 29	Carbon steel	3 (2 measure + 1 for ground)	SS 316L	PP/FKM	559435
	40	Wafer type	0 ... 1.80	0 ... 45	Carbon steel	3 (2 measure + 1 for ground)	SS 316L	PP/FKM	554101
	50	Wafer type	0 ... 2.88	0 ... 72	Carbon steel	3 (2 measure + 1 for ground)	SS 316L	PP/FKM	554700
	65	Wafer type	0 ... 4.80	0 ... 120	Carbon steel	3 (2 measure + 1 for ground)	SS 316L	PP/FKM	559436
	80	Wafer type	0 ... 7.20	0 ... 180	Carbon steel	3 (2 measure + 1 for ground)	SS 316L	PP/FKM	554142
	100	Wafer type	0 ... 11.20	0 ... 280	Carbon steel	3 (2 measure + 1 for ground)	SS 316L	PP/FKM	554342
	125	Wafer type	0 ... 18.00	0 ... 450	Carbon steel	3 (2 measure + 1 for ground)	SS 316L	PP/FKM	562953
	150	Wafer type	0 ... 25.60	0 ... 640	Carbon steel	3 (2 measure + 1 for ground)	SS 316L	PP/FKM	562954
	200	Wafer type	0 ... 45.20	0 ... 1130	Carbon steel	3 (2 measure + 1 for ground)	SS 316L	Ebonite/-	561912
Type S055 Compact version 	25	EN1092-1	0 ... 0.72	0 ... 18	Carbon steel	3 (2 measure + 1 for ground)	SS 316L	PP/FKM	553540
		ANSI 150 RF	0 ... 0.72	0 ... 18	Carbon steel	3 (2 measure + 1 for ground)	SS 316L	PP/FKM	554353
	32	EN1092-1	0 ... 1.16	0 ... 29	Carbon steel	3 (2 measure + 1 for ground)	SS 316L	PP/FKM	553541
		ANSI 150 RF	0 ... 1.16	0 ... 29	Carbon steel	3 (2 measure + 1 for ground)	SS 316L	PP/FKM	560047
	40	EN1092-1	0 ... 1.80	0 ... 45	Carbon steel	3 (2 measure + 1 for ground)	SS 316L	PP/FKM	553542
		ANSI 150 RF	0 ... 1.80	0 ... 45	Carbon steel	3 (2 measure + 1 for ground)	SS 316L	PP/FKM	560048
	50	EN1092-1	0 ... 2.88	0 ... 72	Carbon steel	3 (2 measure + 1 for ground)	SS 316L	PP/FKM	553485
		ANSI 150 RF	0 ... 2.88	0 ... 72	Carbon steel	3 (2 measure + 1 for ground)	SS 316L	PP/FKM	554354
	65	EN1092-1	0 ... 4.80	0 ... 120	Carbon steel	3 (2 measure + 1 for ground)	SS 316L	PP/FKM	553393
		ANSI 150 RF	0 ... 4.80	0 ... 120	Carbon steel	3 (2 measure + 1 for ground)	SS 316L	PP/FKM	558785
	80	EN1092-1	0 ... 7.20	0 ... 180	Carbon steel	3 (2 measure + 1 for ground)	SS 316L	PP/FKM	553394
		ANSI 150 RF	0 ... 7.20	0 ... 180	Carbon steel	3 (2 measure + 1 for ground)	SS 316L	PP/FKM	554351
	100	EN1092-1	0 ... 11.20	0 ... 280	Carbon steel	3 (2 measure + 1 for ground)	SS 316L	PP/FKM	553489
		ANSI 150 RF	0 ... 11.20	0 ... 280	Carbon steel	3 (2 measure + 1 for ground)	SS 316L	PP/FKM	554352
	125	EN1092-1	0 ... 18.00	0 ... 450	Carbon steel	3 (2 measure + 1 for ground)	SS 316L	PP/FKM	559318
		ANSI 150 RF	0 ... 18.00	0 ... 450	Carbon steel	3 (2 measure + 1 for ground)	SS 316L	PP/FKM	562955
	150	EN1092-1	0 ... 25.60	0 ... 640	Carbon steel	3 (2 measure + 1 for ground)	SS 316L	PP/FKM	557512
		ANSI 150 RF	0 ... 25.60	0 ... 640	Carbon steel	3 (2 measure + 1 for ground)	SS 316L	PP/FKM	561426
200	EN1092-1	0 ... 45.20	0 ... 1130	Carbon steel	3 (2 measure + 1 for ground)	SS 316L	Ebonite/-	554217	
	ANSI 150 RF	0 ... 45.20	0 ... 1130	Carbon steel	3 (2 measure + 1 for ground)	SS 316L	Ebonite/-	560568	

Description	DN [mm]	Process connection	Flow rate range [m³/h]		Body material	Number of electrodes	Electrode material	Material: Lining/Seal	Article no.
			min. 0...0.4 m/s	max. 0...10 m/s					
Type S055 Remote version with 10 m cable (included) 	25	EN1092-1	0...0.72	0...18	Carbon steel	3 (2 measure + 1 for ground)	SS 316L	PP/FKM	448492
		ANSI 150 RF	0...0.72	0...18	Carbon steel	3 (2 measure + 1 for ground)	SS 316L	PP/FKM	559598
	32	EN1092-1	0...1.16	0...29	Carbon steel	3 (2 measure + 1 for ground)	SS 316L	PP/FKM	448493
		ANSI 150 RF	0...1.16	0...29	Carbon steel	3 (2 measure + 1 for ground)	SS 316L	PP/FKM	562958
	40	EN1092-1	0...1.80	0...45	Carbon steel	3 (2 measure + 1 for ground)	SS 316L	PP/FKM	448494
		ANSI 150 RF	0...1.80	0...45	Carbon steel	3 (2 measure + 1 for ground)	SS 316L	PP/FKM	559599
	50	EN1092-1	0...2.88	0...72	Carbon steel	3 (2 measure + 1 for ground)	SS 316L	PP/FKM	448495
		ANSI 150 RF	0...2.88	0...72	Carbon steel	3 (2 measure + 1 for ground)	SS 316L	PP/FKM	562128
	65	EN1092-1	0...4.80	0...120	Carbon steel	3 (2 measure + 1 for ground)	SS 316L	PP/FKM	448496
		ANSI 150 RF	0...4.80	0...120	Carbon steel	3 (2 measure + 1 for ground)	SS 316L	PP/FKM	562959
	80	EN1092-1	0...7.20	0...180	Carbon steel	3 (2 measure + 1 for ground)	SS 316L	PP/FKM	448497
		ANSI 150 RF	0...7.20	0...180	Carbon steel	3 (2 measure + 1 for ground)	SS 316L	PP/FKM	562129
	100	EN1092-1	0...11.20	0...280	Carbon steel	3 (2 measure + 1 for ground)	SS 316L	PP/FKM	448498
		ANSI 150 RF	0...11.20	0...280	Carbon steel	3 (2 measure + 1 for ground)	SS 316L	PP/FKM	555666
	125	EN1092-1	0...18.00	0...450	Carbon steel	3 (2 measure + 1 for ground)	SS 316L	PP/FKM	560144
		ANSI 150 RF	0...18.00	0...450	Carbon steel	3 (2 measure + 1 for ground)	SS 316L	PP/FKM	562956
	150	EN1092-1	0...25.60	0...640	Carbon steel	3 (2 measure + 1 for ground)	SS 316L	PP/FKM	554141
		ANSI 150 RF	0...25.60	0...640	Carbon steel	3 (2 measure + 1 for ground)	SS 316L	PP/FKM	561952
200	EN1092-1	0...45.20	0...1130	Carbon steel	3 (2 measure + 1 for ground)	SS 316L	Ebonite/-	559753	
	ANSI 150 RF	0...45.20	0...1130	Carbon steel	3 (2 measure + 1 for ground)	SS 316L	Ebonite/-	562135	

Further versions on request

Remote sensor fitting version Type S054

Please also use the "request for quotation" form on page 9 for ordering a customized sensor fitting.

Electronics Type SE56 (for more data, refer to data sheet Type SE56)

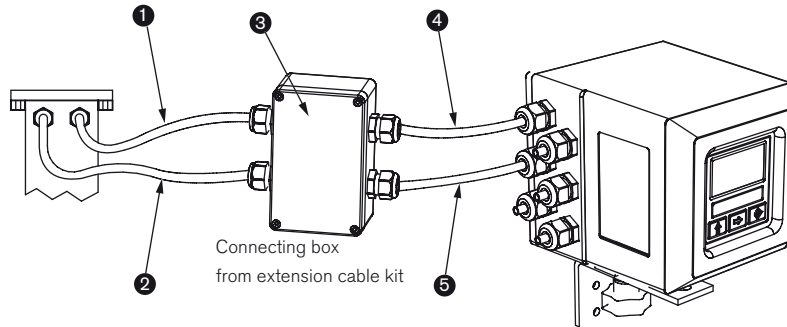
Description	Power supply	Outputs	Body material	Electrical connection	Article no.
Standard compact version with display	90...265 V AC	2 transistors	Aluminium	6 cable glands	558745
			Stainless steel	6 cable glands	559780
		2 transistors + 4...20 mA	Aluminium	6 cable glands	558747
			Stainless steel	6 cable glands	558306
Standard wall-mounting version with display	90...265 V AC	2 transistors	Aluminium	6 cable glands	559781
			Stainless steel	6 cable glands	558310
		2 transistors + 4...20 mA	Aluminium	6 cable glands	558750
			Stainless steel	6 cable glands	558308
Basic compact version with display	90...265 V AC	2 transistors	Nylon	3 cable glands	562439
			2 transistors + 4...20 mA	Nylon	3 cable glands
	18...63 V DC	2 transistors		Nylon	3 cable glands
			2 transistors + 4...20 mA	Nylon	3 cable glands
Basic compact version without display	90...265 V AC	2 transistors		Nylon	3 cable glands
			2 transistors + 4...20 mA	Nylon	3 cable glands
	18...63 V DC	2 transistors		Nylon	3 cable glands
			2 transistors + 4...20 mA	Nylon	3 cable glands
Blind compact version	20...30 V DC	up to 4 transistors		Stainless steel	2 cable glands
		up to 4 transistors + 4...20 mA	Stainless steel	2 cable glands	559133
		up to 4 transistors + PROFIBUS DP	Stainless steel	2 cable glands	559134

Ordering chart for spare parts/accessories for sensor fitting Type S054 or S055

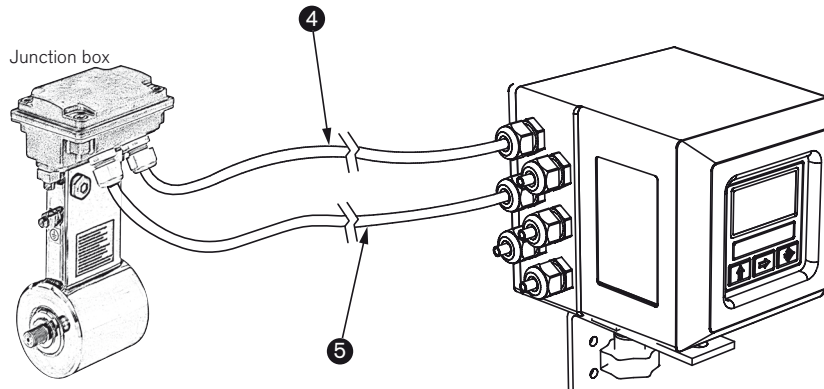
Description	Purpose	No. on drawing	Article no.
Electrode cable, 10 m long	for connection between sensor fitting without junction box Type S054/S055, S051 or S056 and electronics Type SE56*	1	448518
	for connection between sensor fitting with junction box Type S054/S055, S051 or S056 and electronics Type SE56* or for connection between extension cable kit and electronics Type SE56*	4	562851
Coil cable, 10 m long	for connection between sensor fitting without junction box Type S054/S055, S051 or S056 and electronics Type SE56*	2	448519
	for connection between sensor fitting with junction box Type S054/S055, S051 or S056 and electronics Type SE56* or for connection between extension cable kit and electronics Type SE56*	5	562852
Extension cable kit	including a connecting box and resin	3	562853

* (see corresponding data sheet)

Sensor fitting Type S054/S055 without junction box



Sensor fitting Type S054/S055 with junction box



DTS 1000101296 EN Version: N Status: RL (released | freigegeben | valide) printed: 15.03.2018

i Further versions on request

- Electrical connection
- Electrode and coil cables length

Note
 You can fill out the fields directly in the PDF file before printing out the form.

Universal sensor fitting Type S054 or S055 - request for quotation

Please fill out this form and send to your local Bürkert Sales Centre* with your inquiry or order.



NOTE:

Please take into account that the sensor fitting Type S054 or S055 must be associated with one of the electronics Type SE56.

If only the sensor fitting is ordered, please indicate on your order the version (standard, blind or basic) or better the item no. of the electronics Type SE56 with which it will be associated

Company:	Contact person:
Customer no.:	Dept.:
Address:	Tel./Fax:
Town / Postcode:	E-mail:

■ **Full Bore Magflow sensor fitting**

Wafer version S054

Flanged version S055

Quantity:

Desired delivery date:

■ **Pipe diameter**

- DN25 DN32 DN40 DN50
 DN65 DN80 DN100 DN > 100 DN value*

■ **Process fitting connection:**

- EN 1092-1 ANSI 150 ANSI 300 JIS 10 K

■ **Pressure:**

- PN10 PN16 PN25 PN40 PN64

■ **Number of electrodes and lining material:**

- 3 and PP (PN16) 3 and PTFE (PN16) 3 and Ebonite (PN40 and more)

■ **Materials:**

- Body** Carbon steel Stainless steel 304 Stainless steel 316L
Seal FKM EPDM
Electrodes 316L
 Hastelloy Tantalum
 Titanium Platinum

■ **Flowmeter version:**

- Compact Remote (10 m cable included)

■ **Cable length:**

meter (for cable length > 20 m a preamplifier is included. **Caution! Price increase**)

* from DN200...DN2000: Ebonite or PTFE Lining material (if PTFE not selected then Ebonite in standard)

Electronics SE56



When you click on the orange box "More info.", you will come to our website for the resp. product where you can download the data sheet, and then you can fill out the SE56 request for quotation form.

To find your nearest Bürkert facility, click on the orange box →

www.burkert.com

In case of special application conditions, please consult for advice.

Subject to alteration.
 © Christian Bürkert GmbH & Co. KG

1803/11_EU-en_00895029