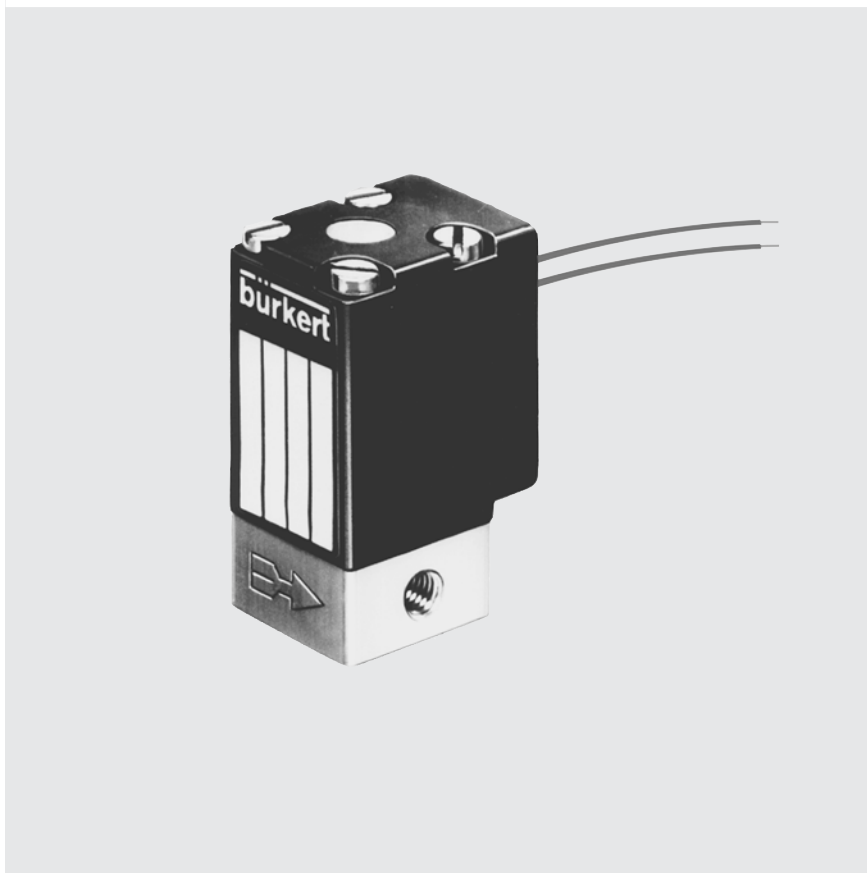


2/2-Way, Direct-acting, NPT 1/8"



Advantages/Benefits

- ▶ Compact design
- ▶ Specific testing and cleaning available
- ▶ Short response time
- ▶ Electrical connection: DIN-plug or leads
- ▶ Body materials: brass, stainless steel

Design/Function

Type 200 is a direct-acting plunger-type solenoid valve normally closed by spring action (circuit function A).

When energized, the solenoid armature is drawn against a spring to open the valve.

The solenoid epoxy encapsulation efficiently dissipates the heat generated by the coil.

Specific testing and cleaning is available according to application requirements.

Applications

- Laboratory instruments
- Small-scale instrument
- Gas control instruments
- Shut-off, dosing, filling, ventilating
- Welding technology
- Neutral gases and liquids
- Slightly aggressive liquids
- Pneumatic control
- Vacuum

Burkert Contromatic USA
 2602 McGaw Avenue
 Irvine, CA 92614
 Tel. 949.223.3100
 Fax 949.223.3198
 www.burkert-usa.com

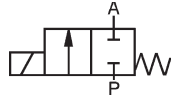
Burkert Contromatic Inc.
 760 Pacific Road, Unit 3
 Oakville, Ontario, Canada
 L6L 6M5
 Tel. 905.847.5566
 Fax 905.847.9006



Technical Data

Circuit Function

A 2/2-way valve,
normally closed



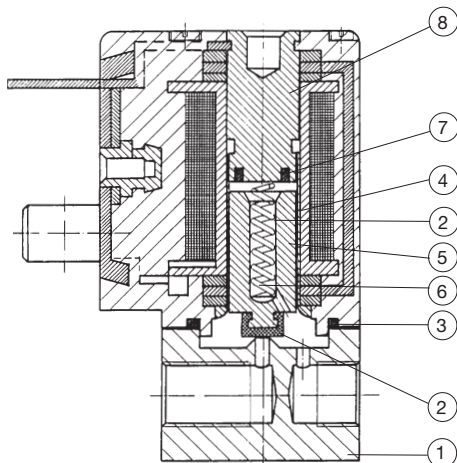
Operating Data (Valve)

Pressure range max.	0-305 PSI (see specifications)
Port connection	Threaded port NPT 1/8" Sub Base on request.
Orifice	3/64" to 3/32" >3/32" on request.
Fluid	Neutral gases and liquids, e.g. compressed air, town gas, natural gas, water, hydraulic oil, petrol. Stainless steel version: Slightly aggressive media. Suitable for techn. vacuum.
Medium temperature max.	-14°F to 212°F
Max. ambient temperature	130°F
Max. viscosity	cSt
Response times	
opening	5-18 ms
closing	ca. 8 ms
Installation	as required, but preferably with solenoid system upright

Operating Data (Actuator)

Operating voltages	AC 24, 120, 240 V/60 Hz, DC 12, 24 VDC						
Voltage tolerance	± 10 %						
Power consumption	<table border="1"> <tr> <th>AC inrush</th> <th>AC hold</th> <th>DC</th> </tr> <tr> <td>9 VA</td> <td>6 VA/4 W</td> <td>4 W¹⁾</td> </tr> </table>	AC inrush	AC hold	DC	9 VA	6 VA/4 W	4 W ¹⁾
AC inrush	AC hold	DC					
9 VA	6 VA/4 W	4 W ¹⁾					
	¹⁾ Power consumption DC 2 W on request						
Duty cycle	100% continuously rated						
Duty cycle for multiple manifolds	60% for manifold mounting (30 min) or use 2W-version (on request)						
Cycling rate	up to 1 000 c.p.m.						
Protection class with cable plug	NEMA 4 (IP 65)						
Electr. connection	Delivery standard: Cable plug DIN 43 650 B, 0-250 V. Flying leads 12 in. length						

Materials



1 Valve body:	Brass, 301 Stainless Steel
2 Plunger-seal:	FKM, EPDM
3 O-rings:	FKM, EPDM
4 Armature guide tube:	305 Stainless Steel
5 Plunger:	430 Stainless Steel
6 Spring:	301 Stainless Steel
7 Shading ring:	Copper (brass version)
8 Stopper:	430 Stainless Steel

Specifications - Ordering Chart (Other Versions on Request)



Brass valve body, cable plug DIN 43 650 form B

Port Connection	Orifice [inch]	C _v	Pressure Range				Seal Material	Weight [oz]	ITEM No. Voltage/Frequency [V/Hz]			
			(AC)		(DC)				12/DC	24/DC	120/60	240/60
			[PSI]	[bar]	[PSI]	[bar]						
NPT 1/8"	3/64"	0.053	0 - 305	0 - 21	0 - 174	0 - 12	FKM	4.2	457 522 P	453 709 P	—	—
NPT 1/8"	3/64"	0.053	0 - 305	0 - 21	0 - 174	0 - 12	EPDM	4.2	457 536 M	453 538 X	—	—
NPT 1/8"	1/16"	0.070	0 - 174	0 - 12	0 - 87	0 - 6	FKM	4.2	457 525 J	450 153 A	457 532 R	452 298 A
NPT 1/8"	1/16"	0.070	0 - 174	0 - 12	0 - 87	0 - 6	EPDM	4.2	457 540 D	457 542 T	454 552 S	457 552 A
NPT 1/8"	5/64"	0.129	0 - 116	0 - 8	0 - 65	0 - 4.5	FKM	4.2	457 527 L	450 462 G	452 312 X	457 535 L
NPT 1/8"	5/64"	0.129	0 - 116	0 - 8	0 - 65	0 - 4.5	EPDM	4.2	457 544 V	457 546 X	457 533 W	457 544 X
NPT 1/8"	3/32"	0.152	0 - 87	0 - 6	0 - 44	0 - 3	FKM	4.2	056 256 D	050 223 A	—	—
NPT 1/8"	3/32"	0.152	0 - 87	0 - 6	0 - 44	0 - 3	FKM	4.2	136 392 K	046 074 Y	—	—

Brass valve body, coil with two flying leads, 300 mm length

Port Connection	Orifice [inch]	C _v	Pressure Range				Seal Material	Weight [oz]	ITEM No. Voltage/Frequency [V/Hz]			
			(AC)		(DC)				12/DC	24/DC	120/60	240/60
			[PSI]	[bar]	[PSI]	[bar]						
NPT 1/8"	3/64"	0.053	0 - 305	0 - 21	0 - 174	0 - 12	FKM	4.2	457 523 Q	457 524 R	—	—
NPT 1/8"	3/64"	0.053	0 - 305	0 - 21	0 - 174	0 - 12	EPDM	4.2	457 537 N	457 539 Y	—	—
NPT 1/8"	1/16"	0.070	0 - 174	0 - 12	0 - 87	0 - 6	FKM	4.2	455 020 V	457 526 K	454 729 B	—
NPT 1/8"	1/16"	0.070	0 - 174	0 - 12	0 - 87	0 - 6	EPDM	4.2	457 528 V	452 306 A	—	—
NPT 1/8"	5/64"	0.129	0 - 116	0 - 8	0 - 65	0 - 4.5	FKM	4.2	457 528 V	452 306 A	—	—
NPT 1/8"	5/64"	0.129	0 - 116	0 - 8	0 - 65	0 - 4.5	EPDM	4.2	457 545 W	457 547 Y	—	—
NPT 1/8"	3/32"	0.152	0 - 87	0 - 6	0 - 44	0 - 3	FKM	4.2	455 532 P	457 531 Q	—	—
NPT 1/8"	3/32"	0.152	0 - 87	0 - 6	0 - 44	0 - 3	FKM	4.2	457 549 A	457 551 U	—	—

Stainless steel valve body, cable plug DIN 43 650 form B

Port Connection	Orifice [inch]	C _v	Pressure Range				Seal Material	Weight [oz]	ITEM No. Voltage/Frequency [V/Hz]			
			(AC)		(DC)				12/DC	24/DC	120/60	240/60
			[PSI]	[bar]	[PSI]	[bar]						
NPT 1/8"	3/64"	0.053	0 - 305	0 - 21	0 - 174	0 - 12	FKM	4.2	455 512 K	450 151 G	450 152 H	—
NPT 1/8"	1/16"	0.070	0 - 174	0 - 12	0 - 87	0 - 6	FKM	4.2	457 557 S	453 623 Y	450 156 D	455 282 V
NPT 1/8"	5/64"	0.129	0 - 116	0 - 8	0 - 65	0 - 4.5	FKM	4.2	457 559 C	457 560 H	457 567 U	456 022 L
NPT 1/8"	3/32"	0.152	0 - 87	0 - 6	0 - 44	0 - 3	FKM	4.2	457 562 X	452 326 V	452 328 F	—

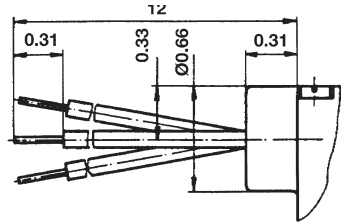
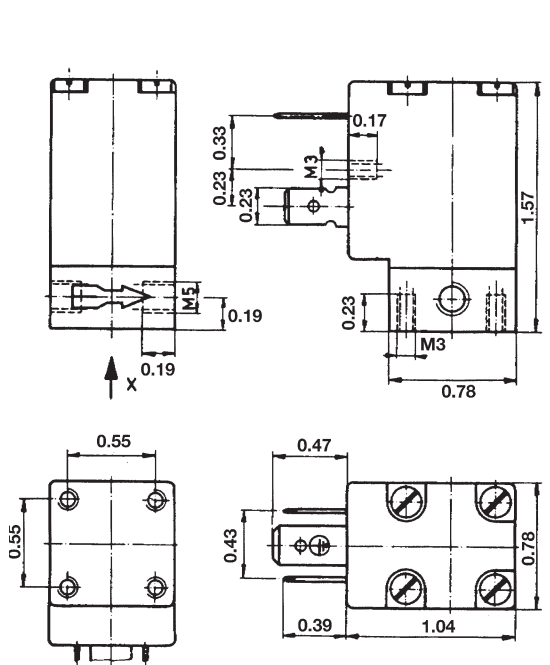
Stainless steel valve body, coil with two flying leads, 300 mm length

Port Connection	Orifice [inch]	C _v	Pressure Range				Seal Material	Weight [oz]	ITEM No. Voltage/Frequency [V/Hz]			
			(AC)		(DC)				12/DC	24/DC	120/60	240/60
			[PSI]	[bar]	[PSI]	[bar]						
NPT 1/8"	3/64"	0.053	0 - 305	0 - 21	0 - 174	0 - 12	FKM	4.2	457 555 Y	457 556 Z	—	—
NPT 1/8"	1/16"	0.070	0 - 174	0 - 12	0 - 87	0 - 6	FKM	4.2	457 558 B	452 289 H	—	—
NPT 1/8"	5/64"	0.129	0 - 116	0 - 8	0 - 65	0 - 4.5	FKM	4.2	455 053 S	457 561 W	—	—
NPT 1/8"	3/32"	0.152	0 - 87	0 - 6	0 - 44	0 - 3	FKM	4.2	457 563 Y	457 565 S	—	—

Options

- 2W versions
- 12V versions
- Specific testing and cleaning
- Sub-base versions for manifold

Dimensions Solenoid Valve [inch]



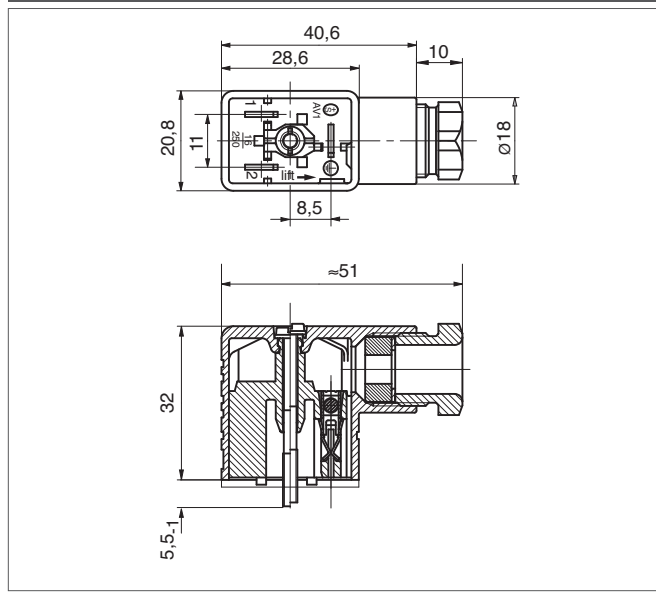
Please note for NPT 1/8" port connection:
 Body length 1", overall height 1.89",
 M5 connection is retained at R port

DTS 1000082549 EN Version: A Status: RL (released | freigegeben | validé) printed: 22.09.2017

Technical Data Cable Plug

Body material	PA (polyamide)
Contact material	brass, tinned
Cable outlet	vertically to the plug bottom
Isolation between cable plug and coil	Gasket (NBR)
Temperature range	-22°F to +194°F
Cable diameter	11/64" to 9/32"
Electr. connection	Terminal screws max. 1/16" ²
Poles	2 pole + ground
Nominal voltage	0-250 V (Standard)
Isolation group	3
Rating	NEMA 4 (IP 65)
Max. continuous current	16 A without wiring
Contact resistance	≤ 4 mΩ
Options	LED display Rectifier Varistor

Dimensions Cable Plug [mm]



Wiring Diagrams/Connection Specifications

