

PROVu PD6402

High Voltage & mV to Current Meter



PROVu
SERIES



MeterView Pro

USB Install



FEATURES

- Ideal Replacement for Bitronics Model GSDIE1
- Bitronics to 1/8 DIN Adapter Mounting Plate Available
- 1/8 DIN Digital Panel Meter with NEMA 4X, IP65 Front
- (1) High Voltage Input and (1) mV Input
- 0-300 VAC or VDC Voltage Input
- 0-150 mV AC or DC Input from Current Shunt
- Easy Field Scaling
- Dual-Line 6-Digit Display, 0.6" (15 mm) & 0.46" (12 mm)
- UL & C-UL Listed. E160849; 508 Industrial Control Equipment
- 3-Year Warranty

INTRODUCTION

The ProVu PD6402 is an ideal replacement for the discontinued Bitronics GSDIE1. It will simultaneously measure a direct line voltage up to 300 V and a current shunt output up to 150 mV. The mV input can be scaled to represent current (A). The PDA6018 adapter plate allows for use of existing mounting cutouts. Extra bright LEDs make for easy reading, even in adverse lighting conditions. Frequently used to monitor field excitation voltage and current during start up and shut down of generating equipment.

SPECIFICATIONS

General

Except where noted all specifications apply to operation at +25°C

Display	Line 1: 0.60" (15 mm) high, red LEDs Line 2: 0.46" (12 mm) high, red LEDs 6 digits each (-99999 to 999999), with lead zero blanking
Display Assignment	Either display line may be assigned to the voltage (channel V) or mV (Channel A) input.
Programming Methods	Four front panel buttons, digital inputs, PC and MeterView Pro software, or Modbus registers.
Power Options	85-265 VAC 50/60 Hz; 90-265 VDC, 20 W max; 12-24 VDC, 12-24 VAC, 15 W max. Powered over USB for configuration only.
Fuse	Required external fuse: UL Recognized, 5 A max, slow blow; up to 6 meters may share one 5 A fuse
Isolation	500 V AC/DC potential allowed between voltage and current input channels. Channels isolated by 3 MΩ impedance 4 kV input/output-to-power line 500 V input-to-output or output-to-P+ supply
Overvoltage Category	Installation Overvoltage Category II: Local level with smaller transient overvoltages than Installation Overvoltage Category III.
Environmental	Operating temperature range: -40 to 65°C (-40 to 149°F) Storage temperature range: -40 to 85°C (-40 to 185°F) Relative humidity: 0 to 90% non-condensing
Connections	Removable screw terminal blocks accept 12 to 22 AWG wire, RJ45 for external relays, digital I/O, and serial communication adapters.
Enclosure	1/8 DIN, high impact plastic, UL 94V-0, color: black
Front Panel	NEMA 4X, IP65
Mounting	1/8 DIN panel cutout required: 3.622" x 1.772" (92 mm x 45 mm) Two panel mounting bracket assemblies are provided. Optional PDA6018 mounting plate available to accommodate existing Bitronics panel cutout.

High Voltage & mV Inputs

High Voltage Input	One high voltage input (Channel V) 0-300 VDC or VAC; Switch Selectable
mV Input	One mV input (Channel A) 0-150 mV; Switch Selectable Factory Default: 0-100 mV input corresponds to 0.000 to 0.100 display. User may scale for different ranges.
Channels	Channel A, Channel V
Accuracy	mV DC: 0.03% Full Scale ±1 count, mV AC: 0.1% Full Scale ±1 count, VDC: 0.05% Full Scale ±1 count, VAC: 0.15% Full Scale ±1 count

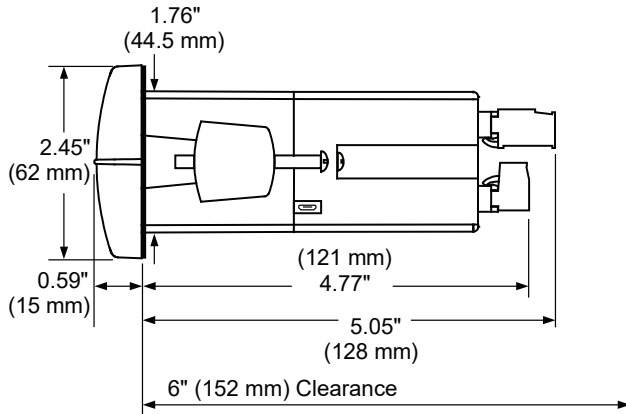
Calibration Range

Input Channel	Input Range	Minimum Span Input 1 & Input 2
A	± 0-150 mV DC 0-150 mV AC	± 0.5 mV DC 1 mV AC
V	± 0-300 VDC 0-300 VAC	± 0.1 VDC 0.3 VAC

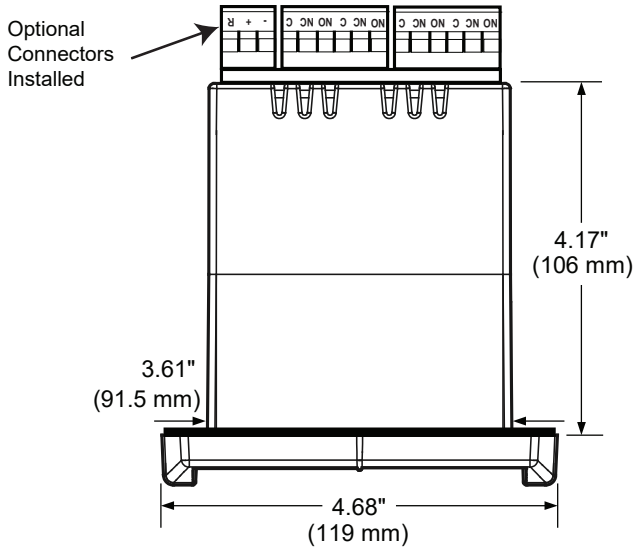
An error message will appear if the input 1 and input 2 signals are too close together.

Input Impedance	Voltage Input: Greater than 3 MΩ Current Input: 50 - 100 Ω
Input Overload	Voltage input protected up to 500 VDC mV current input protected up to 10 VDC

MOUNTING DIMENSIONS



Meter Dimensions - Side View

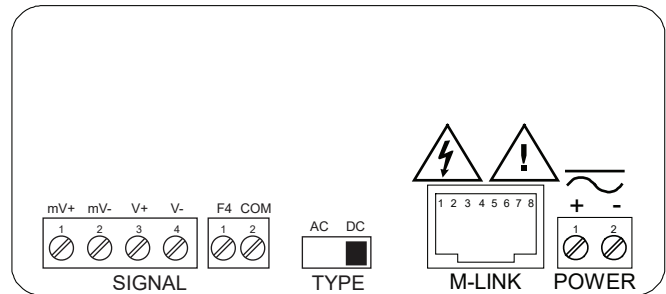


Meter Dimensions - Top View

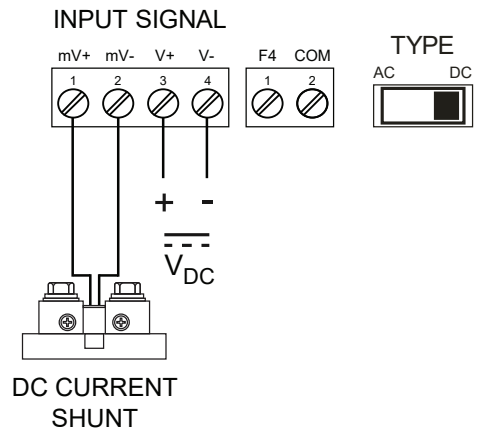
CONNECTIONS

All connections are made to removable screw terminal connectors located at the rear of the meter.

Connectors Labeling



PD6402-6R0 Connectors Label



DC Current Shunt and Voltage Connections

ACCESSORY

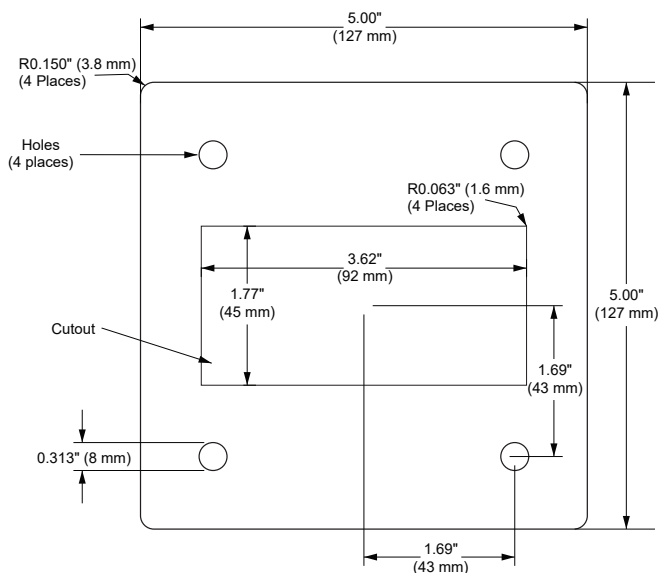
PDA6018 Mounting Plate

Precision Digital offers the [PDA6018](#) Bitronics 4" round meter to 1/8 DIN meter adapter mounting plate. The PDA6018 plastic mounting plate is designed for mounting the PD6402 ProVu high voltage & mV to current meter into the existing cutout of the discontinued Bitronics GSDIE1 dual channel DC Amp / Volt meter.



PD6402 Mounted with PDA6018 Adapter Mounting Plate

PDA6018 Mounting Dimensions & Cutout



ORDERING INFORMATION

Standard Models

Model	Power	Price
PD6402-6R0	85-265 VAC	\$477.00

Accessory

Model	Description
PDA6018	Bitronics 4" Round Meter to 1/8 DIN Meter Adapter Mounting Plate for PD6402



Convenient Online Ordering
at predig.com/pd6402

For More Information Contact:

Owen Peters

Precision Digital Corp

Email: opeters@predig.com

Cell: (781) 910-7418

WARNING

Cancer and Reproductive Harm - www.P65Warnings.ca.gov

Disclaimer

The information contained in this document is subject to change without notice. Precision Digital Corporation makes no representations or warranties with respect to the contents hereof, and specifically disclaims any implied warranties of merchantability or fitness for a particular purpose.

©2021 Precision Digital Corporation. All rights reserved.

LCDS6402_A