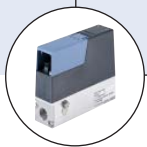




Single phase, primary switched mode power supply

- Stabilised and adjustable output voltage
- Parallel operation
- Push-In terminals
- Panel installation on mounting rails
- DC OK Signalling

Type 1573 can be combined with...



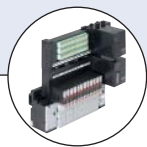
Type 8741

Mass Flow Controllers



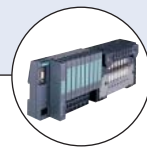
Type 8905

Online Analysis System



Type 8640

Valve island



Type 8644

AirLINE



Type 8619

multiCELL
Transmitter / Controller

Efficient, primary switched mode power supply in slim plastic housing. A powerful and flexible option that's still light and compact. They are suitable for a highly diverse range of applications in measurement and control technology. These power supply units are suitable for a highly diverse range of applications in solar, measurement and control technology as well as industrial and building automation. The output voltage can be easily set using the rotary potentiometer on the front of the housing. The DIN rail fastening method and push-in connection terminals enable fast and secure mounting.

Technical Data	
Input data	
Nominal Input Voltage	AC 100 – 240V
Input Voltage range	85 – 264 Vac (120 – 372 Vdc)
Frequency range	47 Hz – 63 Hz/0 Hz
Inrush current limitation	< 30 A, NTC
Transient surge voltage protection (varistor)	✓
Terminals Input	Push-In, max 2.5 mm ²
Output data	
Nominal Output Voltage	24 Vdc ± 1%
Parallel operation	✓
Serial operation	✓
Resistance to reverse feed max. (nominal load)	Max 35 Vdc
Terminals Output	Push-In, max 2.5 mm ²
Signaling	
Signaling 'DC OK' (LED lit permanently green)	Uout > 21.5 V
Terminals Signaling	Push-In, max 2.5 mm ²
Environment	
Storage Temperature	-25 °C to +85 °C
Required minimum spacing (over/under)	50mm
Convection Cooling	✓
General data	
Degree of protection acc. to IEC 60529	IP 20
Safety Standards	
Safety	EN 61558-2-16, EN 60950-1
EMC	EN 61204-3, EN 60335-1
Safety extra-low voltage (SELV/PELV)	IEC 60364-4-41 (DIN VDE 0100-410)
CE acc. to 2004/108/EC and 2006/95/EC	✓
Mounting on standard rail DIN EN 60715-TH35-15/7.5	✓

Further Technical Data

Technical Data	772 361	772 362	772 898	772 363	772 698
Input data					
Input voltage derating	-2.5%/V _{ac} < 95 V _{ac}				-2.5%/V _{ac} < 100 V _{ac}
Nominal input current (nominal load)	0.49 A (100 V _{ac}) / 0.28 A (240 V _{ac})	0.82 A (100 V _{ac}) / 0.48 A (240 V _{ac})	1.73 A (100 V _{ac}) / 0.95 A (240 V _{ac})	1.52 A (100 V _{ac}) / 0.66 A (240 V _{ac})	2.74 A (100 V _{ac}) / 1.25 A (230 V _{ac})
Turn-on time after applying the main voltage	2.3 s (100 V _{ac}) / 0.74 s (230 V _{ac})	0.5 s (100 V _{ac}) / 0.27 s (230 V _{ac})	0.5 s (100 V _{ac}) / 0.2 s (230 V _{ac})	0.24 s (100 V _{ac}) / 0.14 s (230 V _{ac})	1.3 (100 V _{ac})/0.25 s (230 V _{ac})
Mains buffering (nominal load)	20/120 ms (100/230 V _{ac})	20/120 ms (100/230 V _{ac})	15/80 ms (100/230 V _{ac})	15/80 ms (100/230 V _{ac})	15/17 ms (100/230 V _{ac})
Recommended power circuit breaker (characteristic)	6 A, 10 A, 16 A (B,C)				10A, 16A (B,C)
Output data					
Output voltage range	23 to 28.5 Vdc		23 to 28.5 Vdc (>24 Vdc constant power)	23 to 28.5 Vdc	
Nominal output current	1 A	2 A	3.8A	4 A	10 A
Output current limitation constant current	Typ. 1.25 to 1.4 A	Typ. 2.25 to 2.4 A	Typ. 3.8 to 3.2 A	Typ. 4.4 to 4.7 A	Typ. 11 to 13 A
Power losses (Stand-by/nominal load)	< 1 W/4 W (230 V _{ac})	< 1 W/6 W (230 V _{ac})	< 2.8W/ 14 W (230 V _{ac})	< 1 W/12 W (230 V _{ac})	6.6 W/24.4 W (230 V _{ac})
Maximum power losses	5 W (100 V _{ac} /24 V/1 A)	7 W (100 V _{ac} /24 V/2 A)	20W (100 V _{ac} / 91 W)	15 W (100 V _{ac} /24 V/4 A)	31.3 W (100 V _{ac} /24 V/10 A)
Efficiency	Typ. 86%	Typ. 89%	Typ. 87%	Typ. 89%	Typ. 91%
Ripple/noise	Typ. 20 mVss				Typ. 50 mVss
Protection against internal surge voltage (OVP)	Max. 39 Vdc	Max. 37 Vdc	Max. 40 Vdc		
Signaling					
Signal contact DC OK (active high)	U _{out} > 21.5 V max. 20 mA @24 Vdc			Signal output DC OK relay, contact closed	U _{out} > 21.5 max. 30 V/1 A
Environment					
Ambient temperature	-25 °C to +70 °C Device start at -40°C type-tested				
Derating	-3% K > +50 °C			-5%/K > +60 °C (196 to 264 V _{ac}) -2.5%/K > +50 °C (85 to 195 V _{ac})	
Current rating at any mounting position	Max. 0.7 A	Max. 1.3 A	Max. 2.4 A	Max. 2.4 A	-
Humidity (no condensation)	5 to 96%				
General data					
Protection class acc. to EN 61140	II			I	
Approvals					
UL	UL 508 listed			UL/CSA 60950 recognized(E213214), UL 508 listed (E219022)	
UL 60950 -1	UL 60950 -1 recognized				
Class 2 Output (UL Limited Power Source, LPS)	EN 60950 - 1	EN 60950 - 1	EN 60950 - 1, UL 1310	-	
GL (in preparation)	GL (Germanisher Lyod) classified, Environment category:C, EMC 2				
Mechanical data					
Weight	128 g	210 g	390 g	384 g	930 g
Dimensions (W x H x D)	22.5 x 90 x 97.5 mm	45 x 90 x 97.5 mm	52 x 90 x 111 mm	52 x 90 x 111 mm	55 x 127 x 161 mm

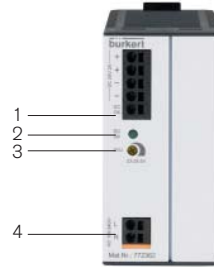
Installation

Always disconnect the equipment from the mains supply, before commencing installation or wiring.

Installation must be carried out according to the prevailing local conditions and safety regulations, national accident prevention regulations and the generally accepted rules of technology. This equipment is a component designed for installation into electrical systems and machines and fulfills the requirements of the low voltage guidelines (2006/95/EG). The required minimum spacing to neighboring components must be observed to guarantee the required cooling.

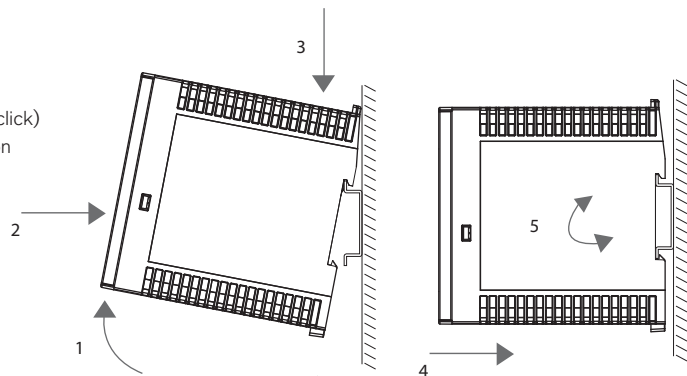
Connection

- 1 DC Outputs (++-) and active 'DC OK' signal contact
- 2 LED Signaling 'DC OK'
- 3 Setting of output voltage
- 4 AC Line input (L N) without earth
* AC Line input (L N PE) for Item No. 772 698



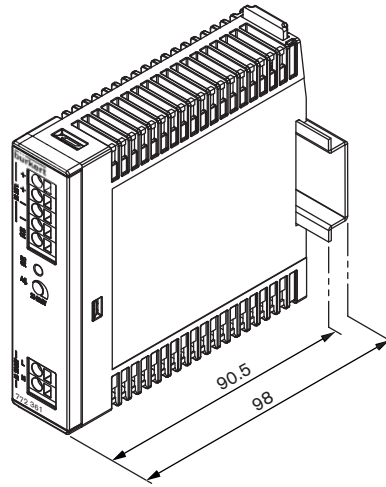
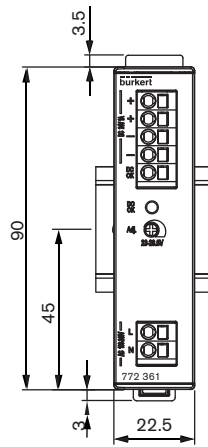
Mounting

- 1 Tilt the unit slightly rearwards
- 2 Fit the unit over top hat rail
- 3 Slide it downward until it hits the stop
- 4 Press against the bottom front side for locking (click)
- 5 Shake the unit slightly to check the locking action

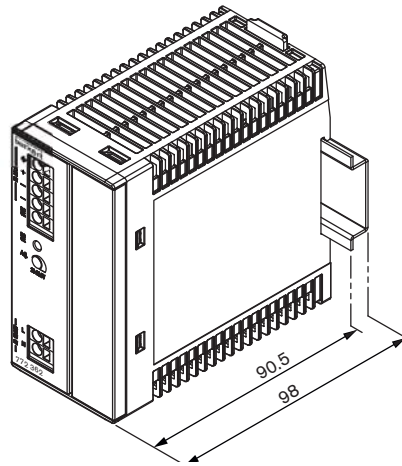
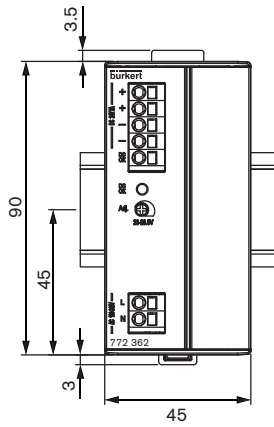


Dimensions [mm]

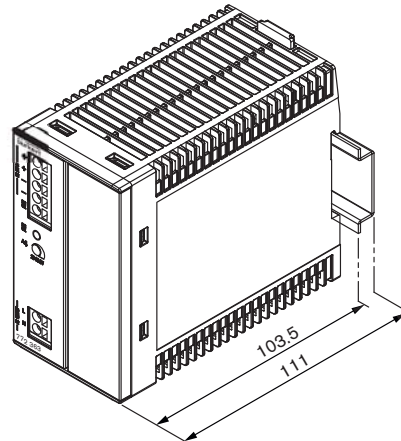
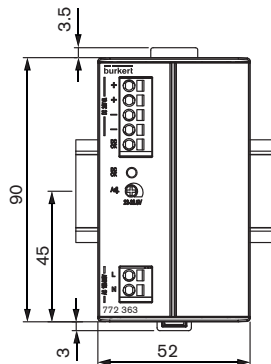
Item no. 772 361



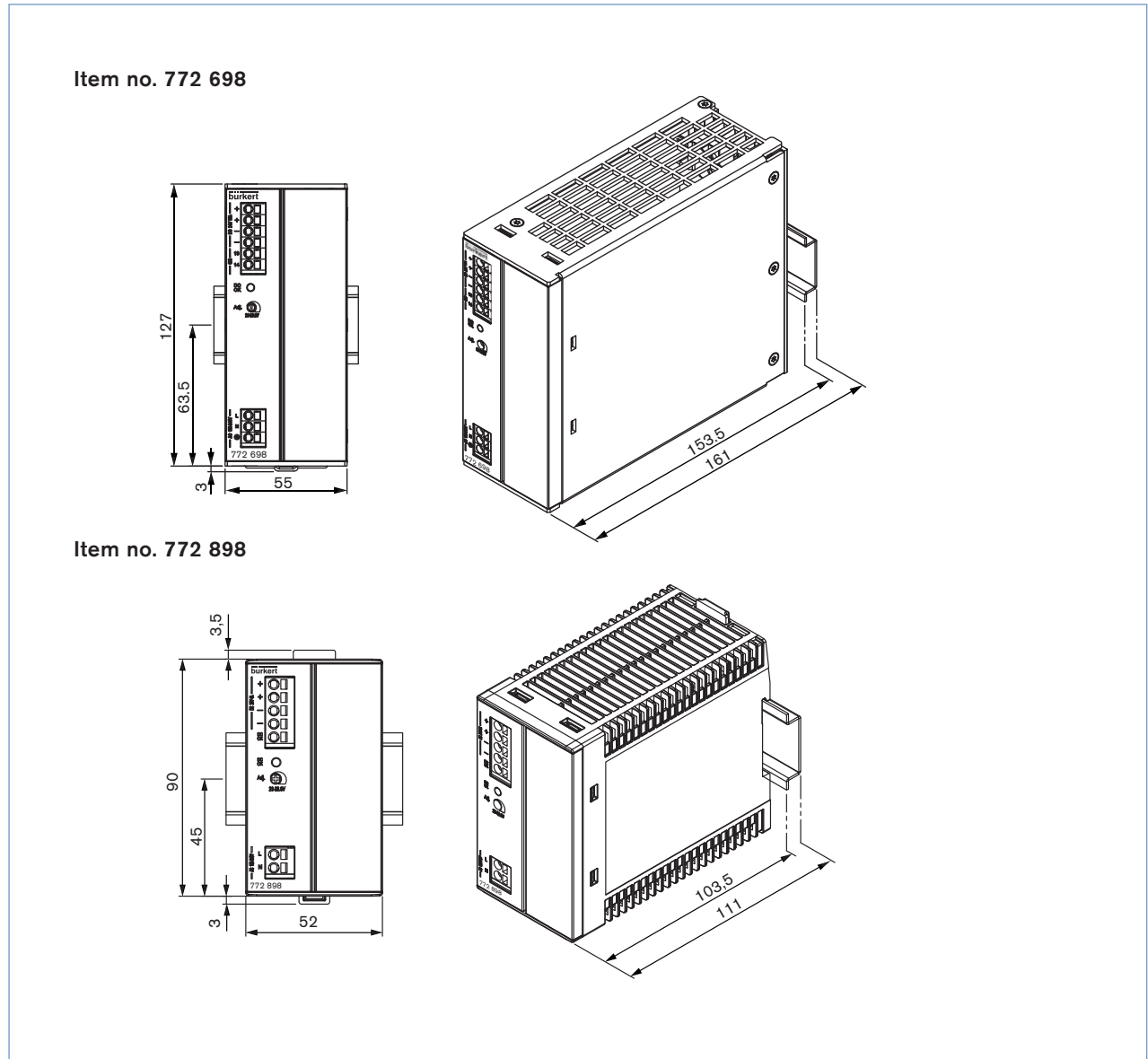
Item no. 772 362



Item no. 772 363



Dimensions [mm]



Ordering chart for Power Supplies

Nominal Current Output	Item no.
1 A	772 361
2 A	772 362
3.8 A	772 898
4 A	772 363
10 A	772 698

To find your nearest Bürkert facility, click on the orange box →

www.burkert.com

In case of special application conditions, please consult for advice.

Subject to alteration.
© Christian Bürkert GmbH & Co. KG

1507/3_EU-en_895283