

Swing check valve for water



- Brass body
- Metal seal

Swing check valve with metal seal for horizontal installation.
 For opening is a pressure difference of 0.1 bar required.

Technical Data	
Orifice	DN 15 - 50 mm
Body material	CW 617N
Disc	CW 617N
Seal	Metallic
Pressure	Max. 10 bar ¹⁾ bei +20 °C
Opening pressure	Pressure difference > 0,1 bar
Medium temperature	Max. +110 °C
Installation	Horizontal

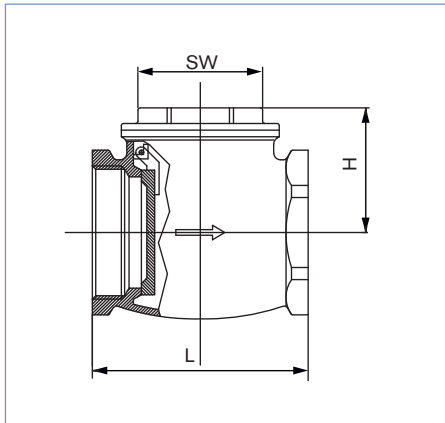
¹⁾ Pressure values [bar]: Measured as overpressure with respect to the atmospheric pressure.

Ordering chart

DN [mm]	Port connection	L [mm]	H [mm]	SW [mm]	Item no.
15	R 1/2	47.0	32.0	20.0	783 458
20	R 3/4	53.0	34.0	26.5	783 459
25	R 1	64.0	40.0	26.0	783 460
32	R 1 1/4	74.0	47.0	34.5	783 461
40	R 1 1/2	87.0	54.0	39.5	783 462
50	R 2	97.0	57.0	49.5	783 463

Further versions on request

Dimensions [mm]



See ordering chart above for dimensions.

To find your nearest Burkert facility, click on the orange box →

www.burkert.com

In case of special application conditions,
please consult for advice..

Subject to alterations
© Christian Bürkert GmbH & Co. KG

1512/1_EU-en_895251