

# MODELS PD233, PD243, & PD253

## DIGITAL TEST PRESSURE GAUGE



### FEATURES

- Vacuum to 7,000 psi
- High accuracy 0.05% FS Total Error Band
- Available with 0.1% or 0.25% FS accuracy
- 5 digit LCD, % bargraph & battery level indication
- Large 0.66" (16.7 mm) display in compact 3" case
- Battery powered
- Rugged & portable design
- Stainless steel case & socket welded
- Twelve engineering units
- Max & Min pressure
- Password protected

### SPECIFICATIONS

Except where noted all specifications apply to operation at +25°C.

**Type:** Precision Digital Test Pressure Gauge

**Pressure Input:** Vacuum to 7,000 psi & compound; see other engineering units below

**Display:** 0.66" (17 mm) 5 digit LCD, 99999

**Accuracy:** 0.05%, 0.10% or 0.25% FS Terminal Point, Total Error Band (TEB) including hysteresis, linearity, repeatability, and temperature drift.

**Temperature Corrected:** From -18 to 65°C

**Certificate of Calibration:** 10-point individual calibration chart, standard for model PD253; optional for other models.

**Backlight:** Standard, manual or auto off

**Bargraph:** 10-segment %FS and battery level indicator

**Case Size:** 3" diameter

**Case Material:** 300 Series stainless steel

**Case Finish:** Electropolished

**Case Rating:** NEMA 4X, IP65; protective rubber boot optional

**Wetted Materials:** 316 stainless steel

**Socket Size:** 1/4" NPT

**Socket Location:** Lower connection, 6 o'clock

**Mounting:** Stem (standard), panel (optional)

**Case Protection:** 300 Series stainless steel protective cover and protective carrying pouch included.

**Weight:** 12.5 oz (354 g)

**Power:** Three AAA alkaline batteries included

**Battery Life:** >1000 hours

**Operating Temperature:** -18 to 62°C

**Storage Temperature:** -40 to 82°C

**Relative Humidity:** 0 to 90% non-condensing

### Keypad Functions

**On/Off:** Manually turns unit on and off; auto off options in configuration menu.

**Backlight:** Manually turns backlight on and off; auto off options in configuration menu.

**Max/Min:** Displays max & min values.

**Zero/Clear:** Zeros display or clears max & min values when values are displayed.

**Enter:** Selects items in configuration menu.

### Menu Mode

**Configuration Mode (CONFIG):** Allows scrolling through configuration menus to select available options.

**Engineering Units:** psi, inHg, inH<sub>2</sub>O, ftSW, Bar, mBar, kPa, MPa, mmHg, cmH<sub>2</sub>O, mmH<sub>2</sub>O, kg/cm<sup>2</sup>

**Display Update Rate:** 4 settings: 10/sec, 5/sec, 2/sec, 1/sec

**Auto Off:** 5 settings: Never, 2, 5, 15, or 30 minutes

**Backlight:** 5 settings: On/off, 10 sec, 30 sec, 1 min, 5 min

**Language:** 7 Languages: English, Spanish, French, Italian, German, Portuguese, and Dutch.

**Dampening:** 5 settings: None, Average: 2, 4, 6, 8 readings

**Contrast:** 7 settings

**Field Calibration:** Zero & span (password protected)

**Disable:** Password allows lockout of configuration settings.

**Zero Disable:** Allows disabling of Zero button.

**Your Local Distributor is:**

# MODELS PD233, PD243, & PD253

## DIGITAL TEST PRESSURE GAUGES

### PRESSURE RANGES

The following engineering units can be configured to the digital pressure gauge (with legend). To determine proper Pressure Range Code convert engineering units to psi, then select optimum standard pressure range from Pressure Range Code Table.

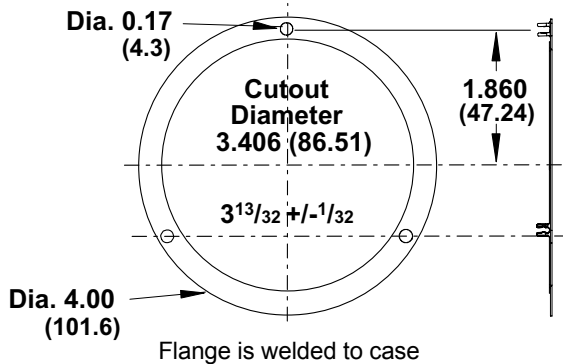
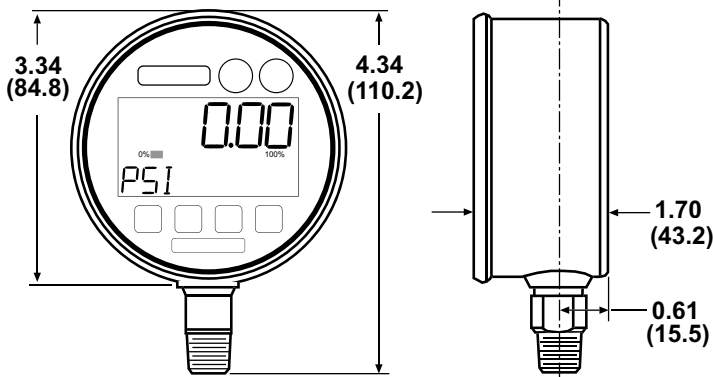
Conversion Chart	
Other Units	psi (multiplier)
mmH <sub>2</sub> O	0.00142
cmH <sub>2</sub> O	0.0142
inH <sub>2</sub> O	0.0360
mmHg	0.0193
inHg	0.4911
kg/cm <sup>2</sup>	14.2233
mBar	0.0145
Bar	14.5038
kPa	0.1450
MPa	145.038
ftSW	0.4453

#### Example

35 Bar x 14.5038 = 507.06 psi = 10  
*Your Range Multiplier psi Range psi Code*  
 Your Part Number: PD233-BK0-4N-10

### DIMENSIONS

Units: Inch (mm)



Panel Mounting Dimension

### ORDERING INFORMATION

Digital Test Pressure Gauges	
Model	Description
PD233-BK0-4N-##	0.25% FS Terminal Point
PD243-BK0-4N-##	0.10% FS Terminal Point
PD253-BK0-4N-##	0.05% FS Terminal Point

## represents pressure range code. See Pressure Range Codes Table for details

Pressure Range Code (##)		
##Code	Range	Units
A1	15	Absolute psi
A2	25	
A3	50	
C1	-15/15	Compound psi
C2	-30/30	
00	-30/0	Compound inHg
01	5	Pressure psi
02	10	
03	15	
04	30	
05	60	
06	100	
07	160	
08	200	
09	300	
10	500	
13	1,000	
15	2,000	
16	2,500	
17	3,000	
18	5,000	
19	7,000	

Note: Additional codes will be provided upon request for other ranges listed.

Accessories	
Model	Description
PDA2000	ABS Carrying Case 3" Gauges
PDA2004	Throttle Plug (Standard Orifice 0.013") 3" Gauges

#### Disclaimer

The information contained in this document is subject to change without notice. Precision Digital Corporation makes no representations or warranties with respect to the contents hereof, and specifically disclaims any implied warranties of merchantability or fitness for a particular purpose.

©2009-2012 Precision Digital Corporation. All rights reserved.

LDS233\_C 03/12