

## Data sheet

# Non return Valve - Danfoss NVD 812

### Description



#### Features:

- Operates in any position
  - Easy to install and dismantle, space-saving
  - Minimum head loss
  - Does not generate hammering
  - Closing system : disc with parabolic edges with return spring ; lateral guiding by 3 or 4 ribs (DN 15 to 100).
  - Closing system with back axial guiding and return spring (ND 125 to 200).
  - Metal/metal seal (machined trim)
- Using these check valves on networks equipped with piston pumps or compressors is not recommended.

#### Main Data:

- DN 15 - 200
- $k_{vs}$  4,24 - 546 m<sup>3</sup>/h
- PN 25/40
- Medium:
  - Circulation water, drinking water or chilled glycolic water up to 50%
- Medium Temperature:
  - 10 ... 350°C
- Leakage rate according to EN12266-1 rate E
- International construction Standards:
  - CE Conformity Directive 97/23/CE
  - Connection according to ASA B16.1 class 125RF
  - Connection according to ASA B16.5 class 150RF and 300RF
  - Connection according to EN 1092.2
  - Overall dimensions according to EN558-1 series 49
- Approvals:

### Ordering

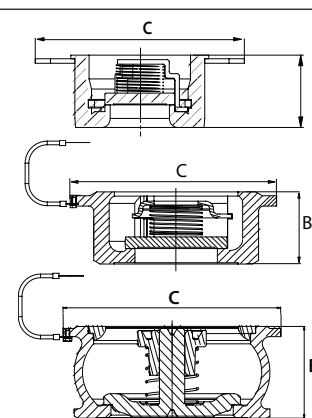
"	DN	Kv (m <sup>3</sup> /h)	PN	PFA (bar)	PS (bar)				Code No.
					L1	L2	G1	G2	
½	15	4,24	40	40	40	40	40	40	065B7530
¾	20	7,80							065B7531
1	25	12,40							065B7532
1¼	32	18,00							065B7533
1½	40	28,00							065B7534
2	50	40,10							065B7535
2½	65	72,50							065B7536
3	80	111,00							065B7537
4	100	182,00							065B7538
5	125	302,00							065B7539
6	150	370,00	065B7540						
8	200	546,00	065B7541						

#### Note:

The indicated pressure for the different categories of fluids (L1/L2/G1/G2) is under no condition a guarantee of use. Therefore, it is essential to validate the use of products under given operating conditions.

### Dimensions

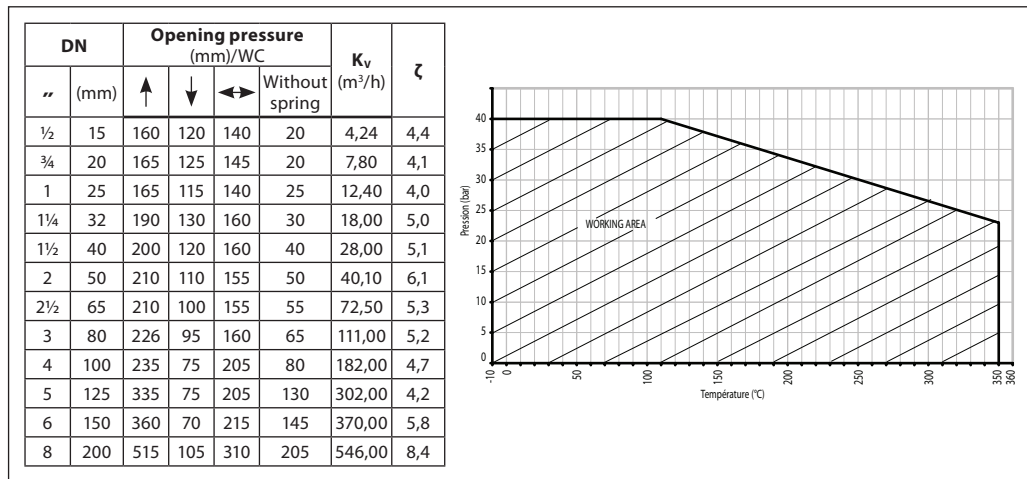
"	A DN	B (mm)	C-PN6 (mm)	C - PN10/16/ ASA 150 (mm)	C - PN25/40/ ASA 300 (mm)	Weight (kg)
½	15	16	44	53	53	0,10
¾	20	19	54	63	63	0,14
1	25	22	64	73	73	0,23
1¼	32	28	78	84	84	0,35
1½	40	31,5	88	94	94	0,52
2	50	40	98	109	109	0,73
2½	65	46	118	129	129	1,52
3	80	50	134	144	144	2,17
4	100	60	154	162	170	3,35
5	125	90	-	192	192	8,55
6	150	106	-	218	224	12,70
8	200	140	-	-	284	30,00



Design

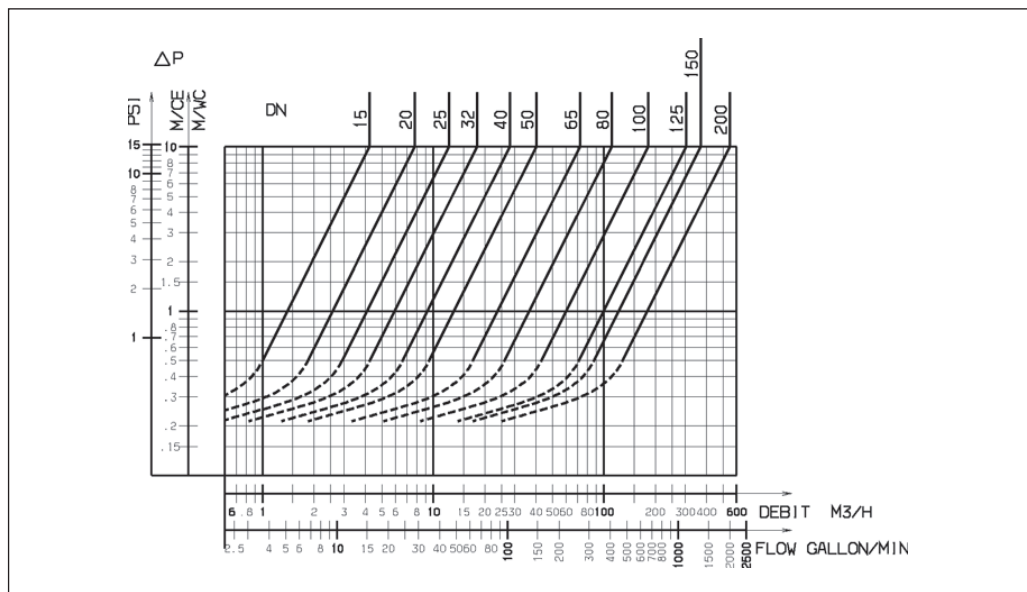
Pos.	Description	Material	EURO	ANSI
1	Casing DN15 DN20 to 65 DN80 to 100 DN125 to 200	Stainless steel	X5CrNi18-10 GX5CrNi19-10 GX2CrNiMo19-11-2 GX5CrNi19-10	AISI 304 AISI 304 AISI 316L AISI 304
2	Closing system DN15 to 100 DN125 to 200	Stainless steel	X2CrNiMo17-12-2 GX5CrNi19-10	AISI 316L AISI 304
3	Spring	Stainless steel	X10CrNi18-8	AISI 302
4	Stop / Guide DN15 DN20 to 100 DN125 to 150 DN200	Stainless steel	X5CrNiMo17-12-2 X2CrNi18-9 GX2CrNiMo19-11-2 GX5CrNi19-10	AISI 316L AISI 304L AISI 316L AISI 304
5	Centering collar DN15 Other DN	Stainless steel	X2CrNi18-9	AISI 304L
6	Clips	Stainless steel	X10CrNi18-8	AISI 302
7	Discharge anti-static braid	Copper	-	-

Headloss diagram



Direction for use :

- Solid line : Valve completely open
- Dotted line : opening stage of valve



Danfoss can accept no responsibility for possible errors in catalogues, brochures and other printed material. Danfoss reserves the right to alter its products without notice. This also applies to products already on order provided that such alterations can be made without subsequential changes being necessary in specifications already agreed. All trademarks in this material are property of the respective companies. Danfoss and the Danfoss logotype are trademarks of Danfoss A/S. All rights reserved.