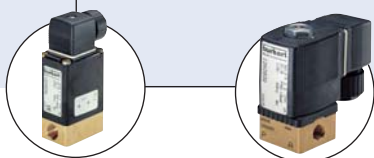


## Mass Flow Controller (MFC) for Gases



Type 8713 can be combined with...



**Typ 0330**

3/2 or 2/2-way  
valve

**Typ 6013**

2/2-way valve

- Direct flow measurement by MEMS- Technology for nominal flow rates from 10 ml<sub>N</sub>/min to 80 l<sub>N</sub>/min (N<sub>2</sub>)
- High accuracy and repeatability
- Short settling time
- Compact design and digitally communication

Type 8713 controls the mass flow of gases that is relevant for most applications in process technologies. The measured value will be compared in the digital control electronics with the predefined set point according to the signal; if a control difference is present, the control value output to the proportional valve will be modified using a PI-control algorithm. Due to the fact that the sensor is directly in contact with the gas a very fast response time of the MFC is reached. In this way, the mass flow can be maintained at a fixed value or a predefined profile can be followed, regardless of

pressure variations or other changes in the system. Type 8713 can optionally be calibrated for two different gases, the user is able to switch between these two gases. As control element a direct-acting proportional valve guarantees a high sensitivity and a good control characteristics of the MFC. This instrument communicates digitally with master devices, no further A/D conversions needed. The MassFlowCommunicator software can be used for parameterisation and diagnosis.

Technical Data			
<b>Nominal flow range<sup>1)</sup></b> (Q <sub>nominal</sub> )	10 ml <sub>N</sub> /min <sup>2)</sup> to 80 l <sub>N</sub> /min (N <sub>2</sub> ), see table on p. 2	<b>Electr. connection</b>	Plug D-Sub 9-pin
<b>Turn-down ratio</b>	1:50, higher turn-down ratio on request	<b>Power supply</b>	24V DC
<b>Operating gas</b>	Neutral, non-contaminated gases, on request	<b>Voltage tolerance</b>	±10%
<b>Calibration gas</b>	Operating gas or air with conversion factor	<b>Residual ripple</b>	< 2%
<b>Max. operating pressure</b> (Inlet pressure)	10 bar (145 psi) depending on the orifice of the valve	<b>Power consumption</b>	3.5 - 11.5 W (depending on control valve used)
<b>Gas temperature</b>	-10 to +70°C (-10 to +60°C with oxygen)	<b>Communication</b>	Digital via RS485 (half-duplex or full-duplex), RS422
<b>Ambient temperature</b>	-10 to +50°C <sup>3)</sup>	<b>Protection class</b>	IP40
<b>Accuracy</b>	±0.8% o.R. ±0.3% F.S. (after 1 min. warm up time)	<b>Dimensions [mm]</b>	see drawings p. 5-6
<b>Repeatability</b>	±0.1% F.S.	<b>Total weight</b>	ca. 500 g (aluminium body)
<b>Settling time (t<sub>95%</sub>)</b>	< 300 ms	<b>Installation</b>	horizontal or vertical
<b>Materials</b>	Body Aluminium or stainless steel Housing Metal Seals FKM, EPDM	<b>Light emitting diodes</b> (default functions, other functions programmable)	Indication for power, limit and error
<b>Port connection</b>	NPT 1/4, G 1/4, screw-in fitting or sub-base, others on request	<b>Binary inputs</b> (default functions, other functions programmable)	Start Autotune
<b>Control valve</b>	Normally closed	<b>Binary output</b> (default functions, other functions programmable)	One relay output for: 1. Limit (setpoint not reached) Max. Load: 25V, 1A, 25VA
Valve orifice k <sub>VS</sub> value	0.05 to 4.0 mm 0.00006 to 0.32 m <sup>3</sup> /h		

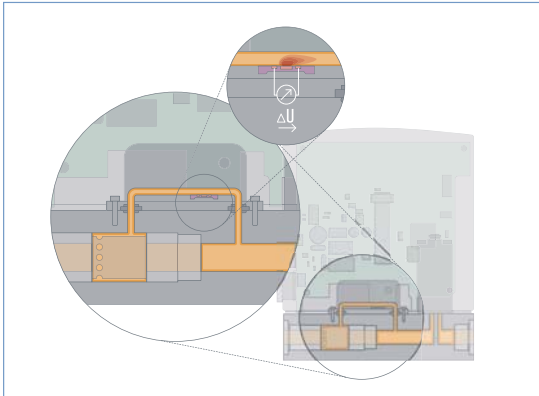
<sup>1)</sup> The nominal flow value is the max. flow value calibrated which can be controlled. The nominal flow range defines the range of nominal flow rates (full scale values) possible.

<sup>2)</sup> Index N: Flow rates referred to 1.013 bar and 0° C.

Alternatively Index S which refers to 1.013 bar and 20° C

<sup>3)</sup> When an internal 5 W valve is used: Max. 40°C

## Measurement principle



The actual flow rate is detected by a sensor. This operates according to a thermal principle which has the advantage of delivering the mass flow without any corrections for the required pressure or temperature.

A small part of the total gas stream is diverted into a small, specifically designed bypass channel, that ensures laminar flow conditions. The sensor element is a chip immersed into the wall of this channel. The chip contains a heating resistor and two temperature sensors (thermopiles) which are arranged symmetrically upstream and downstream of the heater. The differential voltage of the thermopiles is a measure of the mass flow rate passing this bypass channel. The calibration procedure effectuates a unique assignment of the sensor signal to the total flow rate passing the device.

## Nominal Flow Range of Typical Gases

(other gases on request)

Gas	Min. $Q_{Nom}$ [l <sub>N</sub> /min]	Max. $Q_{Nom}$ [l <sub>N</sub> /min]
Argon	0.01	80
Helium	0.01	500
Carbon dioxide	0.02	40
Air	0.01	80
Methane	0.01	80
Oxygen	0.01	80
Nitrogen	0.01	80
Hydrogen	0.01	500

## Notes regarding the selection of the unit

For the proper choice of the actuator orifice within the MFC, not only the required maximum flow rate  $Q_{nom}$ , but also the pressure values *directly* before and after the MFC ( $p_1, p_2$ ) at this flow rate  $Q_{nom}$  should be known. In general, these pressures are not the same as the overall inlet and outlet pressures of the whole plant, because usually there are additional flow resistors (tubing, additional shut-off valves, nozzles etc.) present both before and after the controller.

Please use the request for quotation form on p. 7 to indicate the pressures *directly* before and after the MFC. If these should be unknown or not accessible to a measurement, estimates are to be made by taking into account the approximate pressure drops over the flow resistors before and after the MFC, respectively, at a flow rate of  $Q_{nom}$ . In addition, please quote the maximum inlet pressure  $p_{1max}$  to be encountered. This data is needed to make sure the actuator is able to provide a close-tight function within all the specified modes of operation.

► **The request form on page 7 contains the relevant fluid specification. Using the experience of Bürkert engineers already in the design phase provide us with a copy of the request containing the necessary data together with your inquiry or order.**

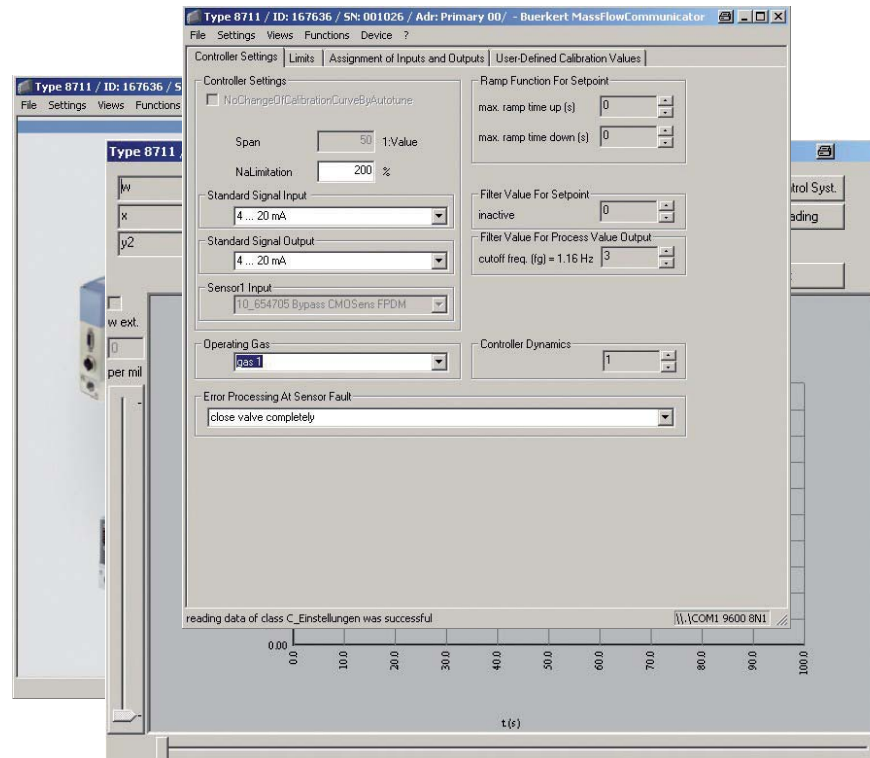
## Ordering table for accessories

Article	Item no.
<b>9-pin electrical connection</b>	
D-Sub socket 9-pin solder connection with housing	917 623
<b>Adapters <sup>4)</sup></b>	
USB adapter (version 1.1, USB-socket type B)	670 693
USB connection cable 2 m	772 299
Communication software "MassFlowCommunicator"	Info at <a href="http://www.burkert.com">www.burkert.com</a>

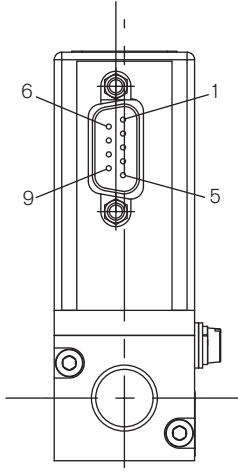
<sup>4)</sup>The adapters serve mainly for initial operation or diagnosis. Those are not obligatory for continuous operation.

## Software MassFlowCommunicator for Communication with Bürkert MFC/MFM

The communication software allows the user to program additionally various functions. For that purpose the MFC or MFM has to be connected to the computer by a RS232 adapter.

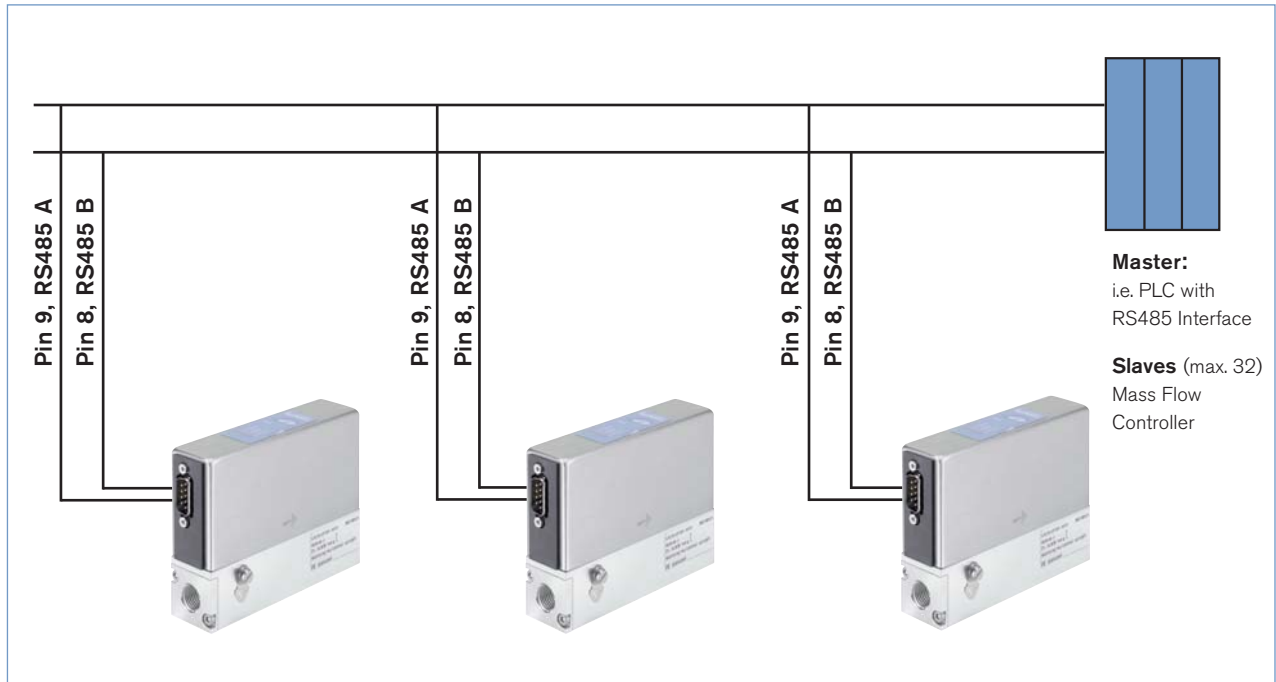


Pin Assignment



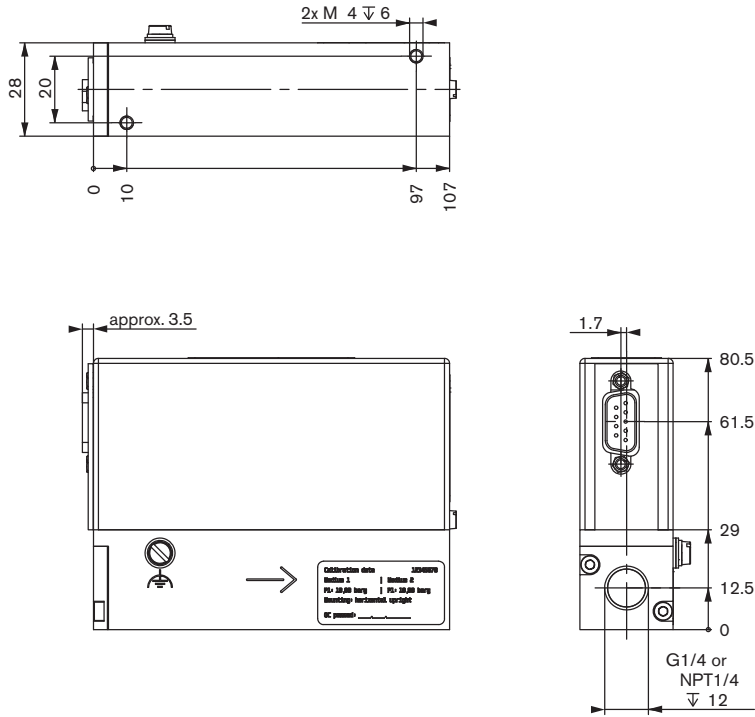
Pin	Connection
1	Binary input (related to GND Pin 2)
2	GND
3	Power supply +24V DC
4	Relay, normally opened
5	Relay, normally closed
6	TX+ (RS485-Y) – bridge with pin 9 at half duplex
7	TX- (RS485-Z) – bridge with pin 8 at half duplex
8	RX- (RS485-B)
9	RX+ (RS485-A)

Networking

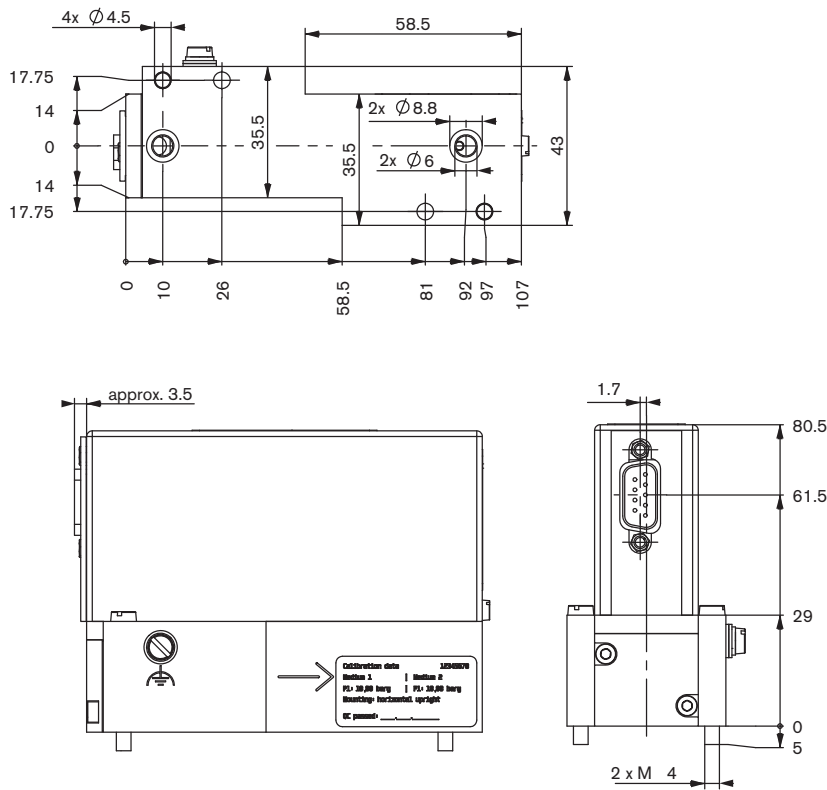


Dimensions [mm]

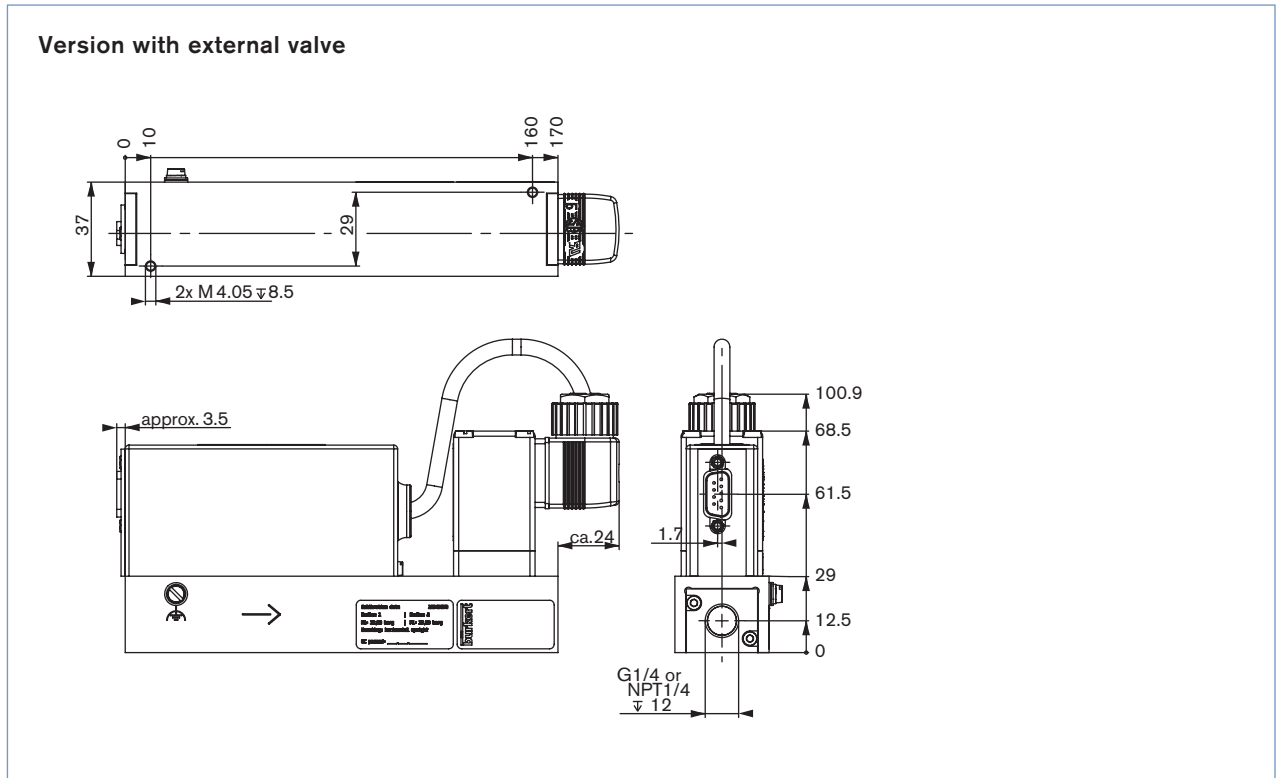
Threaded version



Sub-base version



## Dimensions [mm], continued



## MFC/MFM-applications - Request for quotation

▶ Please complete and send to your nearest Bürkert sales centre

Company	Contact person
Customer No	Department
Address	Tel./Fax
Postcode/Town	E-mail

 MFC-Application     MFM-Application     Quantity     Required delivery date

## Medium data

Type of gas (or gas proportion in mixtures)

Density  kg/m<sup>3</sup> <sup>5)</sup>

Gas temperature [°C or °F]  °C     °F

Moisture content  g/m<sup>3</sup>

Abrasive components/solid particles  no     yes, as follows:

## Fluidic data

Flow range  $Q_{nom}$   Min.  l<sub>N</sub>/min <sup>5)</sup>     l<sub>S</sub>/min (slpm) <sup>6)</sup>  
 Max.  m<sub>N</sub><sup>3</sup>/h <sup>5)</sup>     kg/h  
 cm<sub>N</sub><sup>3</sup>/min <sup>5)</sup>     cm<sub>S</sub><sup>3</sup>/min (scm) <sup>6)</sup>  
 l<sub>N</sub>/h <sup>5)</sup>     l<sub>S</sub>/h <sup>6)</sup>

Inlet pressure at  $Q_{nom}$  <sup>7)</sup>     $p_1 =$   bar(g) ■

Outlet pressure at  $Q_{nom}$      $p_2 =$   bar(g) ■

Max. inlet pressure  $P_{1max}$   bar(g) ■

MFC/MFM port connection  without screw-in fitting  
 1/4" G-thread (DIN ISO 228/1)  
 1/4" NPT-thread (ANSI B1.2)  
 with screw-in fitting (acc. to specification for pipeline)  
 mm pipeline (external Ø)  
 inch pipeline (external Ø)  
 Flange version

Installation  horizontal  
 vertical, flow upwards     vertical, flow downwards

Ambient temperature  °C

## Material data

Body  Aluminium     Stainless steel

Seal  FKM     EPDM

■ Please quote all pressure values as overpressures with respect to atmospheric pressure bar(ü)

5) at: 1,013 bar(a) and 0°C

6) at: 1.013 bar (a) and 20°C

7) matches with calibration pressure

To find your nearest Bürkert facility, click on the orange box → [www.burkert.com](http://www.burkert.com)