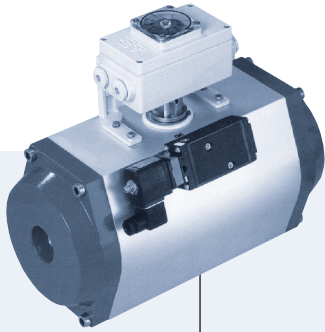
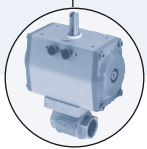


Accessory for pneumatic rotary actuator



Type TEU can be combined with...



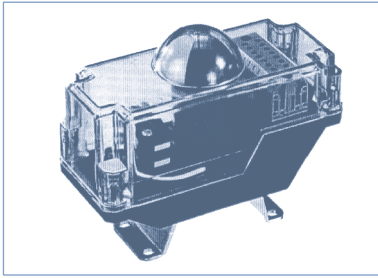
Type 8805

Pneumatic rotary drive

TEU comprises of a position indicator and final position feedback, that combines with the pneumatic rotary drive Type 8805.

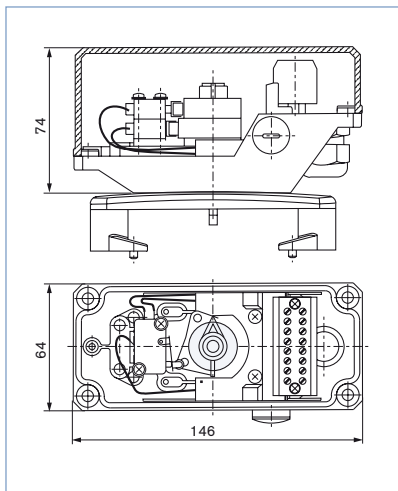
- TEU 001 Electromechanical final position feedback with optical indicator
- TEU 003 non-contact repeater with optical position indicator
- TEU 002 electromechanical repeater, explosion proof
- TEU 004 non-contact repeater, EExi, explosion proof, with optical position indicator

Type TEU 001 - electromechanical final position feedback with optical position indicator

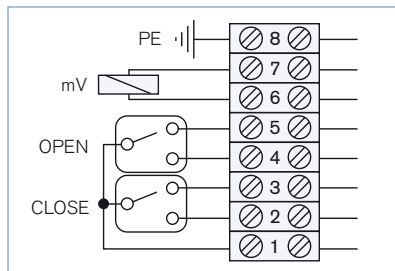


Technical data	
Material	
Base	Vestamid
Cover	Makrolon
Limit switches	Changer (micro switch)
Operating voltage	0.1 ... 250 V AC
Current rating	6 A
Electrical connection	Above connecting terminal plate M12 × 1.5
Console	Stainless steel, acc. to NAMUR
Operating temperature	-20 ... +100 °C

Dimensions [mm]



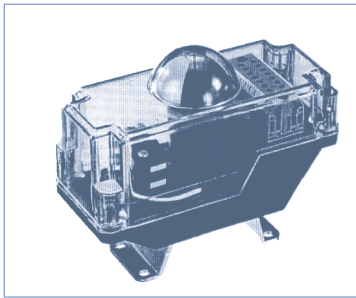
Terminal connection diagram of micro switch



Ordering chart

Hole gauge [mm]	Wave height [mm]	Article no.
80 × 30	20	788872
80 × 30	30	788911
130 × 30	30	788912
130 × 30	50	788913

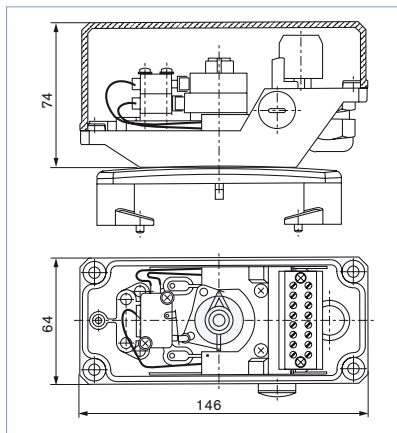
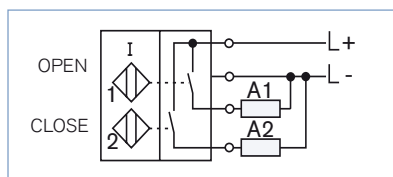
Type TEU 003 - non-contact repeater with optical position indicator



Technical data

Material	
Base	Vestamid
Cover	Makrolon
Limit switches	
Double initiator	
Make: Pepperl+Fuchs NBN3-F25-E8	
Operating voltage	
10 - 30 V DC	
Electrical connection	
above connecting terminal plate PG 13.5 mm	
Display status	
LED, yellow	
Operating temperature	
-25 ... + 70 °C	

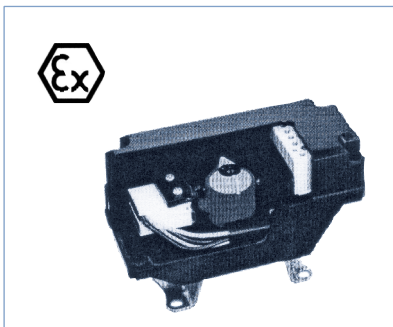
Dimensions [mm]

Terminal connection diagram
(3-wires, PNP)

Ordering chart

Hole gauge [mm]	Wave height [mm]	Article no.
80 × 30	20	788914
80 × 30	30	788915
130 × 30	30	788916
130 × 30	50	788962

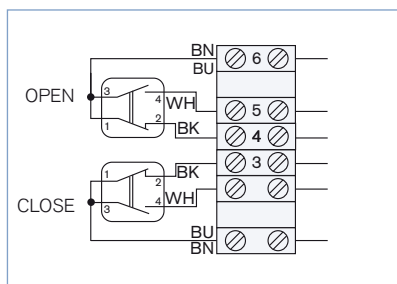
TEU 002 electromechanical repeater, explosion proof



Technical data

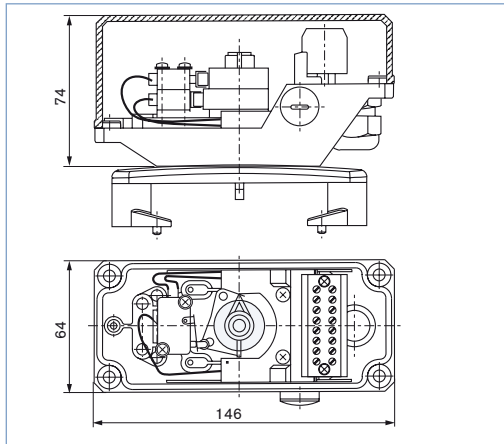
Material	
Base	Vestamid
Cover	Vestamid
Limit switches	
Micro switch	
Make: Crouzet, Type 83 139 1	
Operating voltage	
0.1 - 250 V AC	
Current	
4 A	
Electrical connection	
above connecting terminal plate M20 × 1.5	
Operating temperature	
-20 ... + 60 °C	
Type of protection	
EEx ed IIC T6	

Connecting terminal diagram



TEU 002 electromechanical repeater, explosion proof (continued)

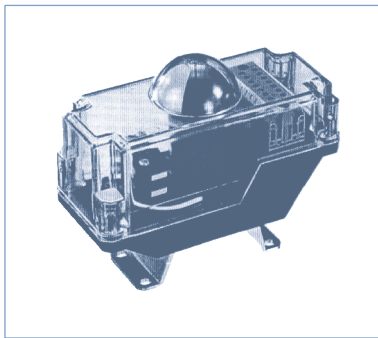
Dimensions [mm]



Ordering chart

Hole gauge [mm]	Wave height [mm]	Article no.
80 × 30	20	788958
80 × 30	30	788959
130 × 30	30	788960
130 × 30	50	788961

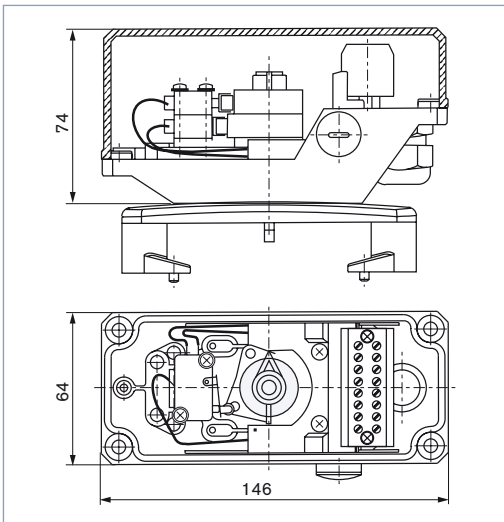
Type TEU 004 - non-contact repeater, EExi, explosion proff, with optical position indicator



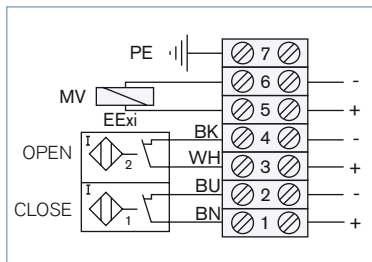
Technical data

Material	
Base	Vestamid
Cover	Makrolon
Limit switches	2-wire circuit breaker (DIN 10234) Double initiator, NAMUR Make: Pepperl+Fuchs NCN3-F25F-N4
Operating voltage	8 V DC
Electrical connection	above connecting terminal plate M20 × 1.5
Operating temperature	-25 ... +85 °C
Type of protection	EExi

Dimensions [mm]



Terminal connection diagram, 2-wires, NAMUR



Ordering chart

Hole gauge [mm]	Wave height [mm]	Article no.
80 × 30	20	788873
80 × 30	30	788955
130 × 30	30	788956
130 × 30	50	788957

To find your nearest Bürkert facility, click on the orange box → www.burkert.com

In case of special application conditions,
please consult for advice.

Subject to alteration.
© Christian Bürkert GmbH & Co. KG

1802/2_EU-en_00895194