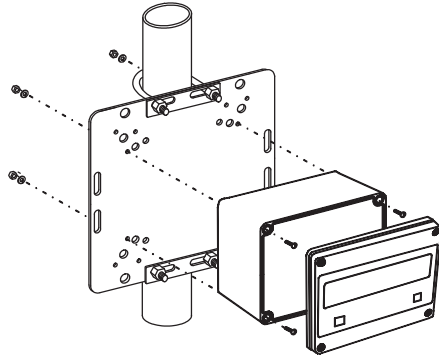


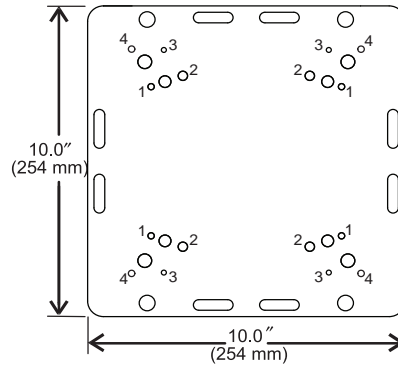
MOUNTING KITS FOR PRECISION DIGITAL METERS

PDA6545 2" PIPE MOUNTING KIT

PD655 Example
Shown Here



Mounting Plate
Hole Pattern

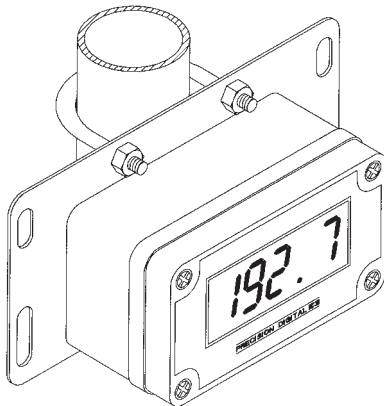


Holes	Meter Type
1	PD655
2	PDA2407, PDA2408
3	PDA2811-PDA2812
4	PDA3407-PDA3414

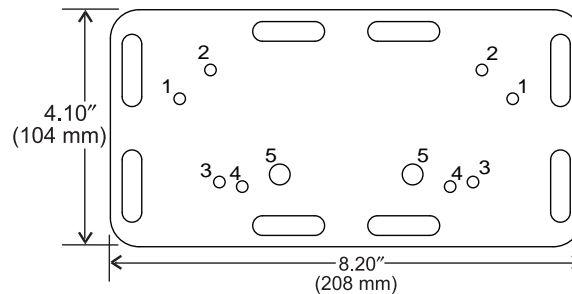
Parts Supplied:

1. One mounting plate
2. Two 2" U-bolt kits
3. Four #6 - 32 x 3/4" screws
4. Four #6 - 32 hex nuts
5. Four #6 - 32 lockwashers

PDA6845 2" PIPE MOUNTING KIT



Mounting Plate
Hole Pattern



HOLES	METER TYPE
1	PDA2801
2	PD675, PD686
3	PD685
4	PD662
5	PD663

Parts Supplied:

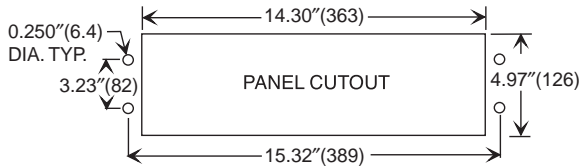
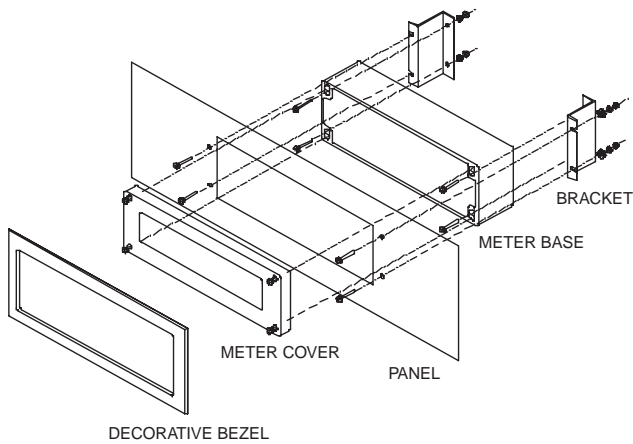
1. One mounting plate
2. One 2" U-bolt kit
3. Two 1/4 - 20 x 1" screws
4. Two 1/4 - 20 hex nuts
5. Two 1/4" lockwashers
6. Two #6 - 32 x 3/4" screws
7. Two #6 - 32 hex nuts
8. Two #6 lockwashers

ORDERING INFORMATION

Model	Description	Weight lb (kg)
PDA6545	2" Pipe Mounting Kit Zinc Plated Steel	3.0 (1.4)
PDA6545-SS	2" Pipe Mounting Kit Stainless Steel	3.0 (1.4)
PDA6845	2" Pipe Mounting Kit Zinc Plated Steel	1.1 (0.5)
PDA6845-SS	2" Pipe Mounting Kit Stainless Steel	1.1 (0.5)

MOUNTING KITS FOR PRECISION DIGITAL METERS

PDA6504 PANEL MOUNTING KIT FOR PD650



Instructions:

1. Drill four holes in panel and make panel cutout as shown. Tolerance for all dimensions is ± 0.01 (0.25)
2. Secure the two side mounting brackets to the meter base using the supplied hardware.
3. Mount this assembly to the rear of the panel using supplied hardware.
4. Secure the meter cover to the base.
5. Attach decorative bezel to the panel.

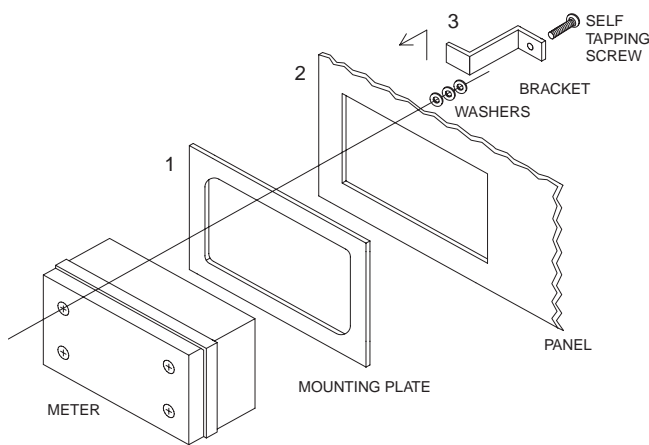
Notes:

1. Allowable panel thickness: 0.06 - 0.25 (1.5 - 6.4). Longer bracket screws may be used for panel thickness up to 0.5 (12.7).
2. Mounting space required: 7 x 17.5 x 4 (178 x 445 x 102) (H x W x D). Meter cover extends 0.8 (20) - X from the surface of the panel, where X equals the thickness of the panel.
3. This panel mounting kit is not intended to provide waterproof protection to the panel.
4. All dimensions are in inches and millimeters (mm).

Parts Supplied:

1. Two angle brackets
2. One self-adhesive decorative bezel
3. Eight #12-24 x $\frac{3}{4}$ " screws
4. Eight #12 lockwashers
5. Eight #12-24 hex nuts
6. Four #12 flat washers

PDA6554, PDA6624, PDA6844, & PD6854 PANEL MOUNTING KITS



Instructions:

1. Insert the meter through the mounting plate.
2. Mount assembly on panel.
3. Secure with 4 brackets and 4 screws at corners of the meter. Use washers as needed to allow for panel thickness.

Notes:

1. Mounting brackets require 0.8 (20) clearance on either top or side of meter for installation.
2. Tolerance for panel cutout dimensions are $+0.01/-0.00(+0.3/-0.0)$.
3. Panel mounting kits are not intended to provide waterproof protection to the panel.
4. All dimensions are in inches and millimeters (mm).

Parts Supplied:

1. One mounting plate (ABS plastic)
2. Four self tapping screws
3. Four mounting brackets
4. Twelve washers

ORDERING INFORMATION

Model	Panel Cutout Required	Mounting Plate Overall Dimensions	Allowable Panel Thickness	Weight lb (kg)	Meter Type
PDA6504	14.30" x 4.97" (363 x 126)	16.28" x 6.98" x 0.25" (414 x 177 x 6)	0.060" - 0.25" (1.5 - 6.4)	1.6 (0.7)	PD650
PDA6554	6.62" x 5.43" (168 x 138)	7.57" x 6.40" x 0.125" (192 x 163 x 3)	0.060" - 0.125" (1.5 - 3.2)	0.2 (0.1)	PD655
PDA6624	4.25" x 3.07" (108 x 78)	5.24" x 4.05" x 0.125" (133 x 103 x 3)			PD662
PDA6844	5.45" x 3.08" (138 x 78)	6.43" x 4.05" x 0.125" (163 x 103 x 3)			PD675, PD686, PD697
PDA6854	5.04" x 3.07" (128 x 78)	6.02" 4.05" x 0.125" (153 x 103 x 3)			PD685

LIM6504_I 05/16

PRECISION DIGITAL CORPORATION

233 South Street • Hopkinton MA 01748 USA • Tel (800) 343-1001 • Fax (508) 655-8990

**PRECISION
DIGITAL**
www.predig.com