

Ball valve for hygienic applications



- High performance and low maintenance
- Suitable for CIP and SIP (cleaning in process)
- PTFE Seal: conform to EC Regulation 1935/2004/EC, Regulation (EU) No. 10/2011, FDA, USP Class VI
- ISO 5211 head flange

Type 2654 Hygienic can be combined with...



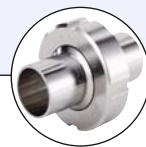
Type 2051/2
Pneumatic actuator



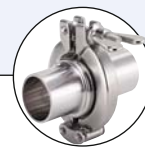
Type 3003/4/5
Electric actuator



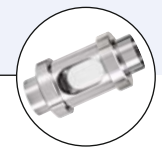
Type BBS-10
Check valve



Type BBS-03
Sterile threaded connection



Type BBS-05
Sterile quick connect



Type BBS-3F
Flow indicator

The ball valves are manufactured using high quality materials and fulfil the requirements of many international standards. They offer maximum flow performance for hygienic duties.

They boast a high quality finish and are available in different variations. Through their simple construction the ball valves are very low-maintenance.

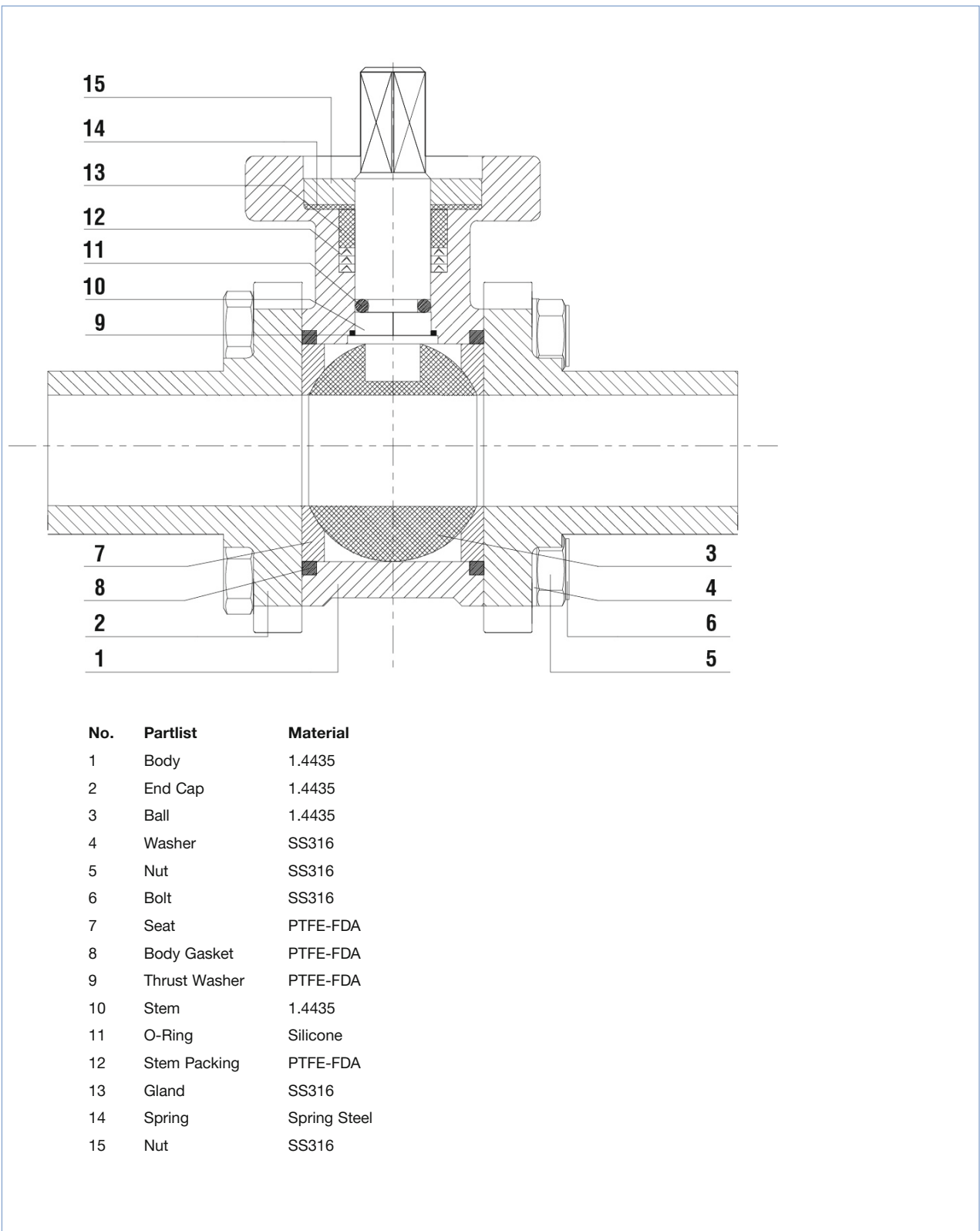
They are available with and without manual lever. Next to this, they can be connected via the mechanical interface (acc. to ISO 5211) with pneumatic (for example, type 2051, 2052) and electrical rotary actuators (for example, type 3003, 3004, 3005).

Applications:

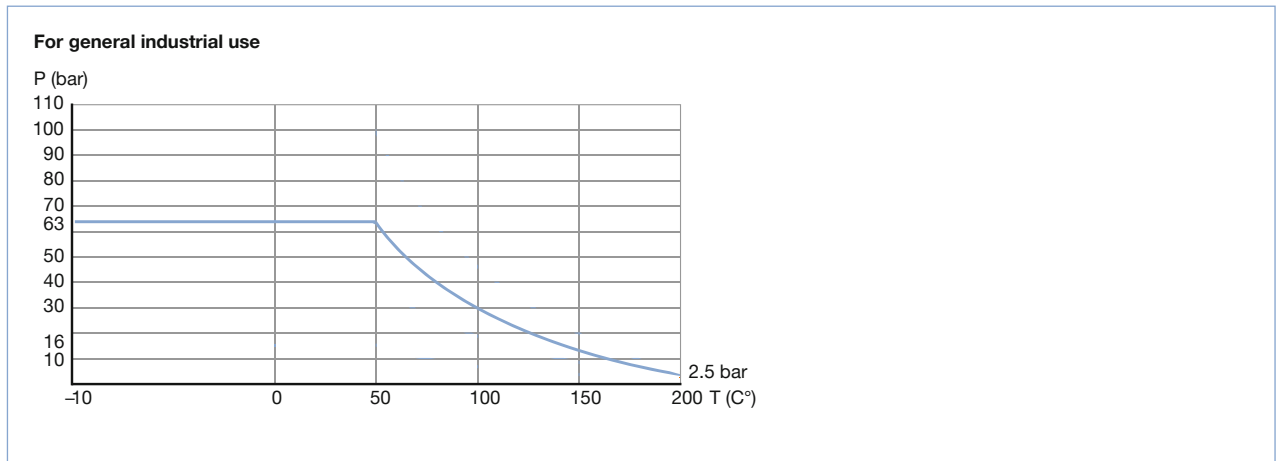
- Biotechnology
- Pharmaceutical industry
- Chemical industry
- Dairy
- Food Industry
- Cosmetics

Technical data	
Available standard sizes	Orbital welded end versions acc. DIN 11850 R2 ISO1127 / ISO 4200 ASME BPE
Material medium contact	Stainless steel 1.4435 (316L)
Material medium separated	1.4435
Seals	Seat, body gasket, thrust-washer and stem packing in PTFE (FDA conform)
Surface quality	Wetted surface RA < Ra 0.8 µm Body surface electropolished
Medium temperature	-10°C up to 200°C max. 6 bar for steam with sealing PTFE/stainless steel reinforced (optionally)
Medium pressure	max. 63 bar (see pressure temperature diagram)
Conformity (PTFE seal)	1935/2004/EC, FDA, USP Class VI
Lever	Electropolished, CFM8 (1.4408)
ISO head flange	EN ISO 5211

Materials



Pressure Temperature Chart

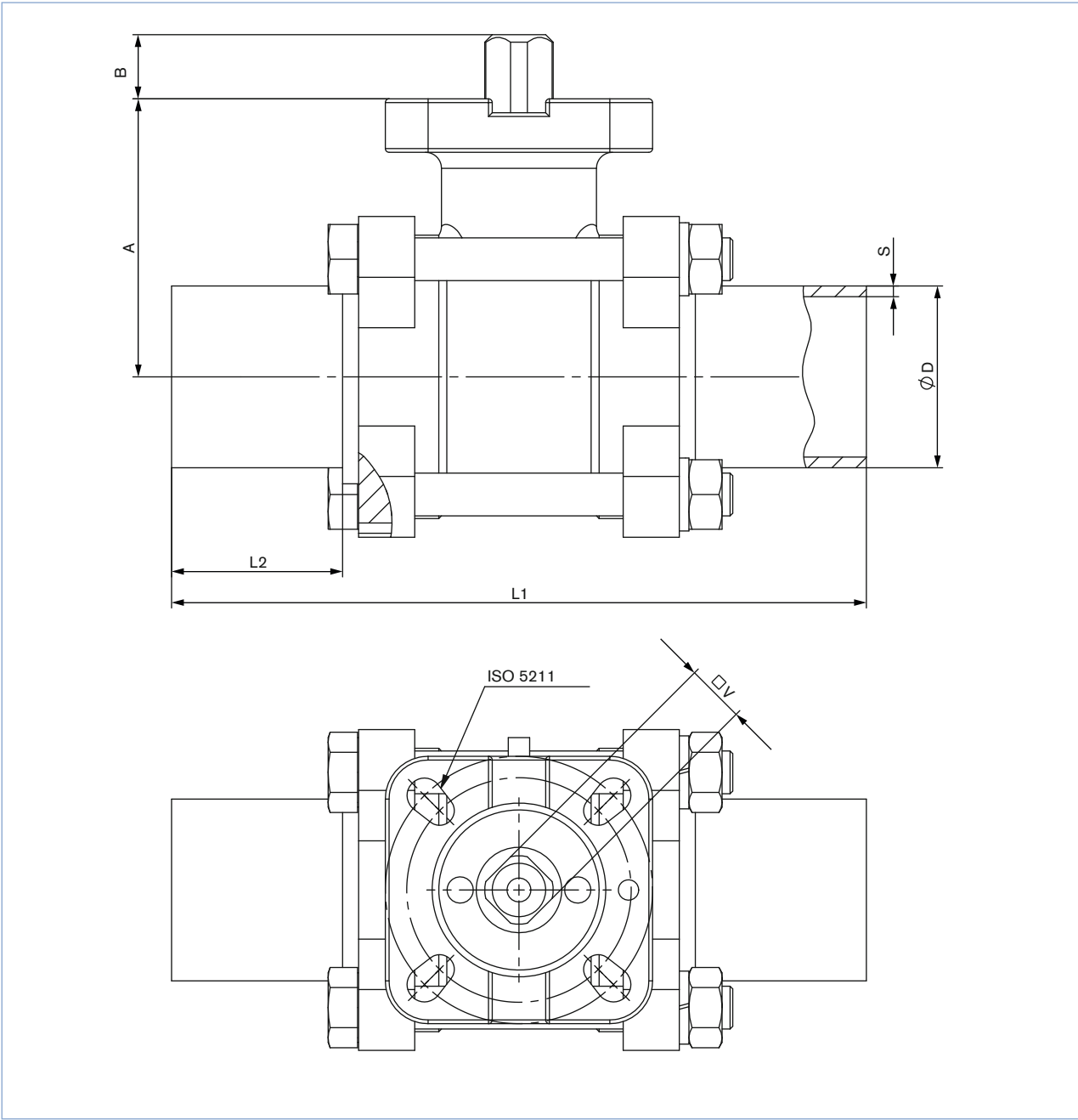


Torques

DN	8	10	15	20	25	32	40	50	65	80	100
Breakaway torque [Nm]	6	6	10	14	17	24	29	44	78	112	140
Running torque [Nm]	4	4	7	9	11	16	19	30	52	89	112

The values were measured under the following conditions: max. delta P, ambient temperature, medium: water

Dimensions [mm]



DTS 1000243919 EN Version: G Status: RL (released | freigegeben | valide) printed: 21.11.2017

Ordering chart for ball valve with weld end

DIN 11850 R2

Orifice [mm]	A	B	L1	L2	Ø D	S	V	ISO 5211	Id.-Nr. manual operated	Id.-Nr. bare shaft
10	40	9	100	23	13.0	1.5	9	F03, F04	772 642	772 592
15	40	9	100	25	19.0	1.5	9	F03, F04	772 643	772 593
20	44	9	105	25	23.0	1.5	9	F03, F04	772 644	772 594
25	52	12	115	25	29.0	1.5	11	F04, F05	772 645	772 595
32	58	12	140	33	35.0	1.5	11	F04, F05	772 646	772 596
40	68	12	150	33	41.0	1.5	14	F05, F07	772 647	772 597
50	77	16	170	33	53.0	1.5	14	F05, F07	772 648	772 598
65	98	19	220	40	70.0	2.0	17	F07, F10	772 649	772 599
80	110	19	300	65	85.0	2.0	17	F07, F10	772 650	772 600
100	138	24	325	65	104.0	2.0	22	F10	772 651	772 601

ISO 1127 / ISO 4200

Orifice [mm]	A	B	L1	L2	Ø D	S	V	ISO 5211	Id.-Nr. manual operated	Id.-Nr. bare shaft
10	40	9	100	23	17.2	1.6	9	F03, F04	772 653	772 604
15	40	9	100	25	21.3	1.6	9	F03, F04	772 654	772 605
20	44	9	105	25	26.9	1.6	9	F03, F04	772 655	772 606
25	52	12	115	25	33.7	2.0	11	F04, F05	772 656	772 607
32	58	12	140	33	42.4	2.0	11	F04, F05	772 657	772 608
40	68	12	150	33	48.3	2.0	14	F05, F07	772 658	772 609
50	77	16	170	33	60.3	2.0	14	F05, F07	772 659	772 610
65	98	19	220	40	76.1	2.0	17	F07, F10	772 660	772 611
80	110	19	300	65	88.9	2.3	17	F07, F10	772 661	772 612
100	138	24	325	65	114.3	2.3	22	F10	772 662	772 613

ASME BPE

Orifice [inch]	A	B	L1	L2	Ø D	S	V	ISO 5211	Id.-Nr. manual operated	Id.-Nr. bare shaft
3/8"	40	9	100	23	9.53	0.89	9	F03, F04	772 633	772 579
1/2"	40	9	90	20	12.70	1.65	9	F03, F04	772 634	772 580
3/4"	44	9	105	25	19.05	1.65	9	F03, F04	772 635	772 581
1"	52	12	115	25	25.40	1.65	11	F04, F05	772 636	772 582
1 1/2"	68	12	150	33	38.10	1.65	14	F05, F07	772 637	772 583
2"	77	16	170	33	50.80	1.65	14	F05, F07	772 638	772 584
2 1/2"	98	19	220	40	63.50	1.65	17	F07, F10	772 639	772 585
3"	110	19	300	65	76.20	1.65	17	F07, F10	772 640	772 586
4"	138	24	325	65	101.60	2.11	22	F10	772 641	772 587

To find your nearest Bürkert facility, click on the orange box →

www.burkert.comIn case of special application conditions,
please consult for advice.Subject to alteration.
© Christian Bürkert GmbH & Co. KG

1711/7_EU-en_00895273