

# ProtEX-MAX PD8-154 & 158 Alarm Annunciators Instruction Manual



## Alarm Annunciators

- 8 Field Selectable Sequences
- All Common ISA Sequences
- 4 or 8-Point (Channel) Monitoring
- Free Replaceable Message Labels
- Type 4X, NEMA 4X, IP65 Front
- Universal Power Supply 85-265 VAC
- 12-36 VDC/12-24 VAC Power Option
- 2 SPDT Relays
- 24 VDC Isolated Power Supply (AC Models)
- Multiple-Unit First-Out Indication
- 3 Pushbutton Operation
- Sunlight Readable Indication

### PRECISION DIGITAL CORPORATION

233 South Street • Hopkinton MA 01748 USA  
Tel (800) 343-1001 • Fax (508) 655-8990

PRECISION  
DIGITAL

[www.predig.com](http://www.predig.com)

## Disclaimer

The information contained in this document is subject to change without notice. Precision Digital makes no representations or warranties with respect to the contents hereof, and specifically disclaims any implied warranties of merchantability or fitness for a particular purpose.



**CAUTION:** *Read complete instructions prior to installation and operation of the meter.*



**WARNING:** *Risk of electric shock or personal injury.*



**Warning!**

- ***This product is not recommended for life support applications or applications where malfunctioning could result in personal injury or property loss. Anyone using this product for such applications does so at his/her own risk. Precision Digital Corporation shall not be held liable for damages resulting from such improper use.***
- ***Failure to follow installation guidelines could result in death or serious injury. Make sure only qualified personnel perform the installation.***
- ***Never remove the instrument cover in explosive environments when the circuit is live.***
- ***Cover must be fully engaged to meet flameproof/explosion-proof requirements.***
- ***Information in this manual supersedes all enclosure, compliance, and agency approval information included in additional product manuals included with this product.***

## Limited Warranty

Precision Digital Corporation warrants this product against defects in material or workmanship for the specified period under "Specifications" from the date of shipment from the factory. Precision Digital's liability under this limited warranty shall not exceed the purchase value, repair, or replacement of the defective unit.

## Registered Trademarks

All trademarks mentioned in this document are the property of their respective owners.

© 2018-2019 Precision Digital Corporation. All rights reserved.

## Table of Contents

<b>Table of Contents</b> .....	<b>3</b>	<b>Annunciator Sequence Selection</b> .....	<b>20</b>
<b>Table of Figures</b> .....	<b>3</b>	Sequence Programming.....	20
<b>Introduction</b> .....	<b>4</b>	Sequence Descriptions .....	21
<b>Ordering Information</b> .....	<b>4</b>	<b>Normally Open/Normally Closed Input Setup</b>	<b>21</b>
<b>Quick Setup Guide</b> .....	<b>4</b>	.....	<b>21</b>
<b>Sequence Selection</b> .....	<b>4</b>	Programming NO/NC Inputs.....	21
<b>NO/NC Inputs</b> .....	<b>4</b>	NO/NC Programming Example .....	22
<b>Basic Connections</b> .....	<b>5</b>	<b>Relay Operation</b> .....	<b>23</b>
<b>Specifications</b> .....	<b>6</b>	Relay 1 Operation .....	23
<b>General</b> .....	<b>6</b>	Relay 2 Operation .....	23
<b>Inputs</b> .....	<b>6</b>	Relay Fail-Safe.....	23
<b>Relays</b> .....	<b>6</b>	Programming Relay Fail-Safe .....	23
<b>Product Ratings and Approvals</b> .....	<b>7</b>	Relay Fail-Safe Programming Example.....	24
<b>Compliance Information</b> .....	<b>8</b>	Relay Operation Overview .....	25
<b>Safety Information</b> .....	<b>9</b>	<b>Audible Horn Enable/Disable</b> .....	<b>25</b>
<b>Installation</b> .....	<b>9</b>	<b>Enabling/Disabling Silence Option</b> .....	<b>26</b>
<b>Unpacking</b> .....	<b>10</b>	<b>No Lock-In Sequence Option</b> .....	<b>26</b>
<b>Pre-Installed Conduit/Stopping Plug</b> .....	<b>10</b>	<b>Reset to Factory Defaults</b> .....	<b>27</b>
<b>Mounting</b> .....	<b>10</b>	<b>Service</b> .....	<b>27</b>
<b>Cover Jam Screw</b> .....	<b>10</b>	<b>Mounting Dimensions</b> .....	<b>28</b>
<b>Connections</b> .....	<b>11</b>	<b>Troubleshooting</b> .....	<b>28</b>
Required & Factory Wired Connections .....	11	<b>Troubleshooting Tips</b> .....	<b>28</b>
Connector Labeling.....	14	<b>Full Sequence Descriptions</b> .....	<b>29</b>
Power Connections.....	14	Features .....	29
Signal Connections .....	14	Sequence Condition Descriptions .....	29
Relays and 24 V Output Connections.....	15	LED Condition Descriptions.....	29
Switching Inductive Loads .....	16	<b>ISA Sequence A</b> .....	<b>30</b>
External Pushbutton Connections .....	17	<b>Relay Operation</b> .....	<b>30</b>
Multiple Unit First-Out Indication Connections	17	<b>ISA Sequence F2A</b> .....	<b>31</b>
.....	17	<b>ISA Sequence F1A</b> .....	<b>32</b>
<b>Setup and Programming</b> .....	<b>18</b>	<b>ISA Sequence F3A</b> .....	<b>33</b>
<b>Overview</b> .....	<b>18</b>	Sequence F3A Switch Positions.....	33
<b>SafeTouch Buttons</b> .....	<b>18</b>	<b>Input Follower Indication</b> .....	<b>35</b>
<b>Front Panel Pushbuttons and Status LED</b>		<b>ISA Sequence M</b> .....	<b>35</b>
<b>Indicators</b> .....	<b>19</b>	<b>ISA Sequence F1M</b> .....	<b>36</b>
<b>Full Function Test</b> .....	<b>19</b>	<b>ISA Sequence F2M</b> .....	<b>37</b>
<b>Multiple Unit First-Out Indication</b> .....	<b>19</b>	<b>EU Declaration of Conformity</b> .....	<b>39</b>
<b>Shared Front Panel Buttons</b> .....	<b>20</b>		

## Table of Figures

<b>Figure 1: Integrated Vigilante II (PD8-154-6 &amp; PD8-158-6) Required Connections</b> .....	<b>12</b>	<b>Figure 9. Low Voltage DC Loads Protection</b> ....	<b>16</b>
<b>Figure 2: Integrated Vigilante II (PD8-154-7 &amp; PD8-158-7) Required Connections</b> .....	<b>13</b>	<b>Figure 10. External Pushbutton Connections</b> ..	<b>17</b>
<b>Figure 3. Connector Labeling for PD158-6R2</b> .....	<b>14</b>	<b>Figure 11. System with Multiple Units Share First-Out</b> .....	<b>17</b>
<b>Figure 4. Power Connections</b> .....	<b>14</b>	<b>Figure 12. Shared Pushbutton Connections</b> .....	<b>20</b>
<b>Figure 5. NO/NC Contact Inputs</b> .....	<b>14</b>	<b>Figure 13. DIP Switch Location</b> .....	<b>20</b>
<b>Figure 6. Open Collector NPN Transistor Inputs</b> .....	<b>15</b>	<b>Figure 14: Enclosure Dimensions – Front View</b> .....	<b>28</b>
.....	15	<b>Figure 15: Enclosure Dimensions – Side Cross Section View</b> .....	<b>28</b>
<b>Figure 7. Relay &amp; 24 V Output Connections</b> .....	<b>15</b>		
<b>Figure 8. AC and DC Loads Protection</b> .....	<b>16</b>		

## Introduction

The ProtEX-MAX PD8-150 offers all the functionality of the Vigilante II PD150 as a fully FM, CSA, ATEX, and IECEx approved explosion-proof product. It provides alarming and monitoring capabilities for all of your level, pressure, flow, and other process switches. These explosion-proof alarm annunciators are available in two models; the PD8-154 has four (4) inputs and the PD8-158 has eight (8) inputs. Each model accepts inputs from relays, float switches, digital outputs, and many other discrete (on/off) devices. They can be field programmed for all common ISA alarm sequences including first out indication and provide alarm signaling through front panel LEDs and a built in audible horn. Additional audible devices may be triggered through the use of relays. The silence, acknowledge, and reset functions can be operated without opening the housing by using the built-in SafeTouch through-glass buttons. Custom printed message labels can be included with your order at no additional charge.

## Ordering Information

85-265 VAC* Model	12-36 VDC* Model	Description
PD8-154-6R2-1	PD8-154-7R2-0	Vigilante® II 4-Point Annunciator
PD8-158-6R2-1	PD8-158-7R2-0	Vigilante® II 8-Point Annunciator
*All models may be powered from AC or DC, see Specifications for details.		



**WARNING** - Cancer and Reproductive Harm - [www.P65Warnings.ca.gov](http://www.P65Warnings.ca.gov)

## Accessories

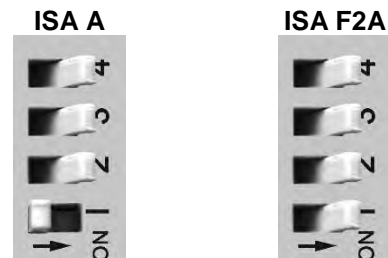
Model	Description
PDX6901	Snubber 0.01µF, 470Ω, Flexible Leads

## Quick Setup Guide

The following overview details how to set up the annunciator for most common uses.

### Sequence Selection

The two most common sequences are ISA A and ISA F2A. Select the sequence using the four-position switch on the rear of the unit above the signal connector. For complete sequence details, see page 29.



### NO/NC Inputs

Each input can be set for normally open (NO) or normally closed (NC) contacts. Each input channel is programmed individually. The default setting is for all inputs to be NO.

To set inputs to NC:

1. Press and hold **ACK** and **RESET** for 3 seconds until all LEDs cycle.
2. Press **ACK** within 3 seconds of release. All LEDs will blink. If **ACK** is not pressed within 3 seconds, the unit will return to run mode.
3. Press **ACK** again within 3 seconds of release. If **ACK** is not pressed within 3 seconds, the unit will return to run mode.

*The LED for the channel being programmed will display brightly on or off. All other channel indication LEDs will be at low intensity to indicate programming mode.*

4. Press the **RESET** pushbutton to turn LED 1 off for a NO input, or on for a NC input for channel 1.
5. Press **ACK** to accept the input type and program channel 2.
6. Repeat steps 4 and 5 for all input channels.
7. Press and hold **ACK** for five seconds to return to normal operation with the programmed input types.

## Basic Connections

All connections are made to removable screw terminal connectors located at the rear of the instrument. For complete connection details, see page 14.



Use copper wire with 60°C or 60/75°C insulation for all line voltage connections. Observe all safety regulations. Electrical wiring should be performed in accordance with all applicable national, state, and local codes to prevent damage to the instrument and ensure personnel safety.

### Connector Labeling

The connectors label, affixed to the instrument, shows the location of all connectors available with requested configuration. See Figure 2, page 14.

### Power Connections

Power connections are made to a two-terminal connector labeled POWER. The instrument will operate regardless of DC polarity connection. The + and - symbols are only a suggested wiring convention.

### Signal Connections

Input signal connections are made to a 14-terminal connector at terminals labeled INPUT CHANNELS. The COM (common) terminal is the return for all input channels.

### Normally Open (NO) or Normally Closed (NC) Switches

All channels are initially set for normally open contacts. Each contact is wired across an input channel and common.

### Relays and 24 V Output Connections

Relay connections are made to a six-terminal connector labeled RELAY1, RELAY2. The COM (common) terminals of the relays should not be confused with the COM (common) terminal of the signal connector. The 24 VDC output is available at the connector labeled 24V OUT, next to the relays connector.

### Additional Information

For additional setup and wiring information, please see the complete details further in this manual.

## Specifications

Except where noted all specifications apply to operation at +25°C.

### General

<b>Display</b>	PD8-154; Four red LED channel/point indicators. PD8-158; Eight red LED channel/point indicators. One green LED power indicator.
<b>Alarm Messages</b>	Custom printed adhesive clear labels. Area: PD8-154, 1.25" x .60" (32 mm x 15 mm), 4 messages PD8-158, 1.25" x .25" (32 mm x 6 mm), 8 messages User specified size and length, up to 4 lines (PD8-154) or 2 lines (PD8-158) of 14 characters of size 9 fonts.
<b>Programming Methods</b>	Rear 4-position switch for sequence selection and horn operation. Three front panel pushbuttons for NO/NC input selection, sequence options, and sequence operation.
<b>Audible Alarm</b>	85 dB internal horn. The use of an external explosion-proof horn is recommended due to the internal horn's audibility being dampened by the explosion-proof enclosure.
<b>Noise Filter</b>	40 ms debounce on inputs (including SIL, ACK, and RST).
<b>Shared First-Out Systems</b>	1 ms unit-to-unit delay. Maximum of 200 units in the shared first-out system.
<b>Non-Volatile Memory</b>	All programmed settings are stored in non-volatile memory for a minimum of ten years if power is lost.
<b>Power Options</b>	85-265 VAC, 50/60 Hz 90-265 VDC, 20 W max or 12-36 VDC, 12-24 VAC, 6 W max
<b>Fuse</b>	Required external fuse: UL Recognized, 5 A max, slow blow. Up to 6 annunciators may share one 5 A fuse
<b>Isolated Power Supply</b>	24 VDC ± 10% @ 200 mA max Standard on 85-265 VAC powered units only.
<b>Isolation</b>	4 kV input/output-to-power line.
<b>Overvoltage Category</b>	Installation Overvoltage Category II: Local level with smaller transient overvoltages than Installation Overvoltage Category III
<b>Environmental</b>	Operating temperature range: -40 to 65°C Storage temperature range: -40 to 85°C Relative humidity: 0 to 90% non-condensing
<b>Connections</b>	Screw terminals accept 12 to 22 AWG wire
<b>Enclosure</b>	Explosion-proof die cast aluminum with glass window, corrosion resistant epoxy coating, color: blue. NEMA 4X, 7, & 9, IP68. Default conduit connections: Four ¾" NPT threaded conduit openings and two ¾" NPT metal conduit plugs with 12 mm hex key fitting installed. Additional conduit opening configurations may be available; verify quantity and sizes on specific device labeling during installation.

<b>Mounting</b>	Four slotted flanges for wall mounting or NPS 1½" to 2½" or DN 40 to 65 mm pipe mounting. See Mounting Dimensions on page 28.
<b>Tightening Torque</b>	Screw terminal connectors: 5 lb-in (0.56 Nm)
<b>Overall Dimensions</b>	6.42" x 7.97" x 8.47" (W x H x D) (163 mm x 202 mm x 215 mm)
<b>Approximate Shipping Weight</b>	16.0 lbs (7.26 kg)
<b>Warranty</b>	3 years parts & labor
<b>Extended Warranty</b>	1 or 2 years, refer to the Price List for details.

### Inputs

<b>Input Types</b>	NO or NC switches: No external excitation required Open collector transistor (NPN): Open circuit voltage approximately 3.3 VDC Logic Levels: LOW = 0 to 0.9 VDC HIGH = 2.4 to 28 VDC
<b>Update Rate</b>	41 ms following alarm state; 1 ms for alarm state clear
<b>Sequences</b>	Input follower, ISA Sequences A, F1A, F2A, F3A, M, F1M, F2M and F3M per ISA Standard ISA-18.1-1979 R2004.
<b>Sequence Options</b>	A, F1A, F2A, F3A, M, F1M, F2M, and input follower with selectable options -1 (silence pushbutton), -4 (no lock-in), and -6 (no horn) per ISA Standard ISA-18.1-1979 R2004.


### Relays

<b>Rating</b>	2 SPDT (Form C); rated 3 A @ 30 VDC or 3 A @ 250 VAC resistive load; 1/14 HP @ 125/250 VAC for inductive loads
<b>Electrical Noise Suppression</b>	A suppressor (snubber) should be connected to each relay contact switching inductive loads to prevent disruption to the microprocessor's operation. Recommended suppressor value: 0.01 µF/470 Ω, 250 VAC (PDX6901).
<b>Relay Operation</b>	Relay 1: Alarm state until alarm is acknowledged. Relay 2: Alarm state while any channel indicating alarm condition.
<b>Fail-Safe Operation</b>	Programmable Independent for each relay <b>Note:</b> In fail-safe mode, relay coil is energized in non-alarm condition. In case of power failure, relay will go to alarm state.



## Product Ratings and Approvals

---

<b>FM</b>	Enclosure: Type 4X; IP66 Class I, Division 1, Groups B, C, D Class II, Division 1, Groups E, F, G Class III, Division 1, T5/T6 Class I, Zone 1, AEx d, IIC Gb T5/T6 Zone 21, AEx tb IIIC T90°C; Ta -40°C to +65°C T6 Ta = -40°C to +60°C; T5 Ta = -40°C to +65°C Certificate Number: 3047283
<b>CSA</b>	Class I, Division 1, Groups B, C, D Class II, Division 1, Groups E, F, G Class III, Division 1 Class I Zone 1 Ex d IIC Zone 21 Ex tb IIIC T90°C -40°C < Tamb. < +60° C; Temperature Code T6 -40°C < Tamb. < +65° C; Temperature Code T5 Enclosure Type 4X & IP66 Certificate Number: 2531731
<b>ATEX</b>	 II 2 G D Ex d IIC T* Gb Ex tb IIIC T90°C Db IP68 Ta = -40°C to +*°C *T6 = -40°C to +60°C *T5 = -40°C to +65°C Certificate number: Sira 12ATEX1182
<b>IECEX</b>	Ex d IIC T* Gb Ex tb IIIC T90°C Db IP68 Ta = -40°C to +*°C *T6 = -40°C to +60°C *T5 = -40°C to +65°C Certificate Number: IECEX SIR 12.0073

---

### **Special Conditions for Safe Use:**

Use suitably certified and dimensioned cable entry device and/or plug. The equipment shall be installed such that the supply cable is protected from mechanical damage. The cable shall not be subjected to tension or torque. If the cable is to be terminated within an explosive atmosphere, then appropriate protection of the free end of the cable shall be provided. Cable must be suitable for 90°C.

### **Year of Construction**

This information is contained within the serial number with the first four digits representing the year and month in the YYMM format.

**For European Community:** The ProtEX-MAX must be installed in accordance with the ATEX directive 94/9/EC, and the product certificate Sira 12ATEX1182.

## Compliance Information

### Safety

<b>UL Listed</b>	USA and Canada UL 508 Industrial Control Equipment
<b>UL File Number</b>	E160849
<b>Front Panel</b>	UL Type 4X, NEMA 4X, IP65; panel gasket provided
<b>Low Voltage Directive</b>	EN 61010-1:2010 Safety requirements for measurement, control, and laboratory use

### Electromagnetic Compatibility

<b>Emissions</b>	EN 55022:2010 Class A ITE emissions requirements
Radiated Emissions	Class A
AC Mains Conducted Emissions	Class A
<b>Immunity</b>	EN 61326-1:2013 Measurement, control, and laboratory equipment EN 61000-6-2:2005 EMC heavy industrial generic immunity standard
RFI - Amplitude Modulated	80 -1000 MHz 10 V/m 80% AM (1 kHz) 1.4 - 2.0 GHz 3 V/m 80% AM (1 kHz) 2.0 - 2.7 GHz 1 V/m 80% AM (1 kHz)
Electrical Fast Transients	±2kV AC mains, ±1kV other
Electrostatic Discharge	±4kV contact, ±8kV air
RFI - Conducted	10V, 0.15-80 MHz, 1kHz 80% AM
AC Surge	±2kV Common, ±1kV Differential
Surge	1KV (CM)
Power-Frequency Magnetic Field	30 A/m 70%V for 0.5 period
Voltage Dips	40%V for 5 & 50 periods 70%V for 25 periods
Voltage Interruptions	<5%V for 250 periods



## Safety Information



### WARNINGS

- Read complete instructions prior to installation and operation of the instrument.
- Installation and service should be performed only by trained service personnel. Service requiring replacement of internal sub-components must be performed at the factory.
- Disconnect from supply before opening enclosure. Keep cover tight while circuits are alive. Conduit seals must be installed within 18" (450mm) of the enclosure or within 2" (50mm) for Zone installations.
- Verify that the operating atmosphere of the instrument is consistent with the appropriate hazardous locations certifications.
- If the instrument is installed in a high voltage environment and a fault or installation error occurs, high voltage may be present on any lead
- Read all product labels completely and follow all instructions and requirements listed on the labels for installation or service.

## Installation

*Install in accordance with applicable local and national regulations (e.g. NEC).*

**For Installation in USA:** The ProtEX-MAX must be installed in accordance with the National Electrical Code (NEC) NFPA 70.

**For Installation in Canada:** The ProtEX-MAX must be installed in accordance with the Canadian Electrical Code CSA 22.1. All power supplies below 36 V and input circuits must be derived from a CSA Approved Class 2 source.

**For European Community:** The ProtEX-MAX must be installed in accordance with the ATEX directive 94/9/EC and the product certificate Sira 12ATEX1182.



**WARNING**

Disconnect from supply before opening enclosure. Keep cover tight while circuits are alive. Conduit seals must be installed within 18" (450mm) of the enclosure or within 2" (50mm) for Zone installations.

Wiring connectors are accessed by opening the enclosure. To access electrical connectors, remove the 2 captive screws and then remove the electronics module. Connectors are on the rear of the electronics module.

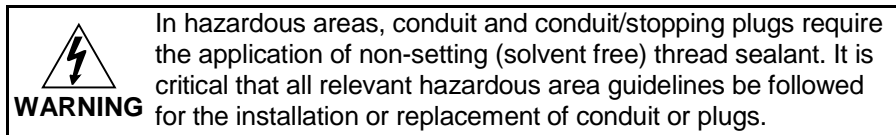
## Unpacking

Remove the instrument from packing box. Inspect the packaging and contents for damage. Report damages, if any, to the carrier.

If any part is missing or the instrument malfunctions, please contact your supplier or the factory for assistance.

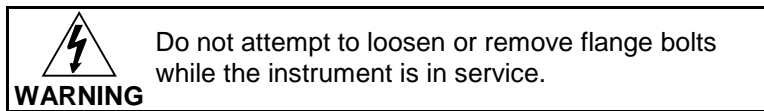
## Pre-Installed Conduit/Stopping Plug

The PD8-158 is supplied with two pre-installed conduit plugs for installations that do not require the use of all conduit entries. The conduit/stopping plugs include an internal 12mm hexagonal socket recess for removal. The pre-installed plugs and their installation are included in the hazardous area approvals for the PD8 Series enclosure.



## Mounting

The ProtEX-MAX has four slotted mounting flanges that should be used for pipe mounting or wall mounting. Refer to *Mounting Dimensions*, page 28 for details.



## Cover Jam Screw

The cover jam screw should be properly installed once the instrument has been wired and tested in a safe environment. The cover jam screw is intended to prevent the removal of the instrument cover in a flameproof environment without the use of tools. Using a M2 hex wrench, turn the screw clockwise until the screw contacts the aluminum enclosure. Turn the screw an additional 1/4 to 1/2 turn to secure the cover. Caution: Excess torque may damage the threads and/or wrench.

## Connections



### WARNINGS

- Static electricity can damage sensitive components.
- Observe safe handling precautions for static-sensitive components.
- Use proper grounding procedures/codes.
- If the instrument is installed in a high voltage environment and a fault or installation error occurs, high voltage may be present on any lead or terminal.
- Follow all fusing and wiring precautions requirements for the instrument integrated to the PD8 Series model number being connected.

To access the connectors, remove the enclosure cover and unscrew the two captive screws that fasten the electronics module. Signal connections are made to de-pluggable connectors on the back of the electronics module.

Some connectors may be provided already connected. These connections are required for proper operation of the ProtEX-MAX, and should not be removed unless instructed to by this manual.

Wires marked as being used for testing purposes should be removed.

Grounding connections are made to the two ground screws provided on the base – one internal and one external.

After all connections have been completed and verified, apply power to the unit.

### Required & Factory Wired Connections

The ProtEX-MAX comes with several pre-wired connections. These connections are detailed on the following pages, and must be maintained in order for the instrument to function properly.

For details on the required wiring to maintain basic ProtEX-MAX functions, refer to the appropriate section for the specific ProtEX-MAX model number.



### WARNING

Observe all safety regulations. Electrical wiring should be performed in accordance with all agency requirements and applicable national, state, and local codes to prevent damage to the meter and ensure personnel safety.

### Required Connections on PD8-154-6 and PD8-158-6 Series Models

ProtEX-MAX units with Vigilante II integrated functionality have two factory wired connectors. Four wires connect the remote switch inputs of the annunciator. Two wires connect the DC power supply on the main meter electronics to the ProtEX-MAX connector board. These must remain connected as shown for the SafeTouch Buttons to function on these models.

**NOTICE** The connections described in this section must remain connected for the SafeTouch buttons to function.

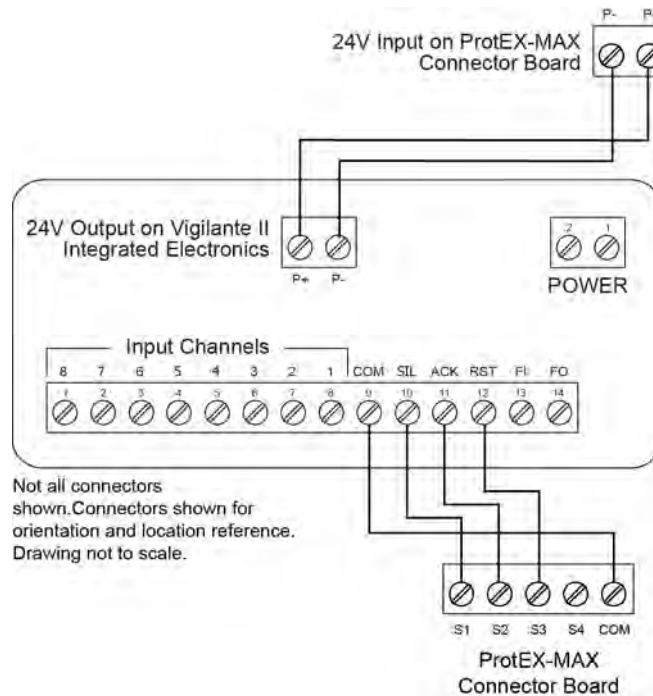


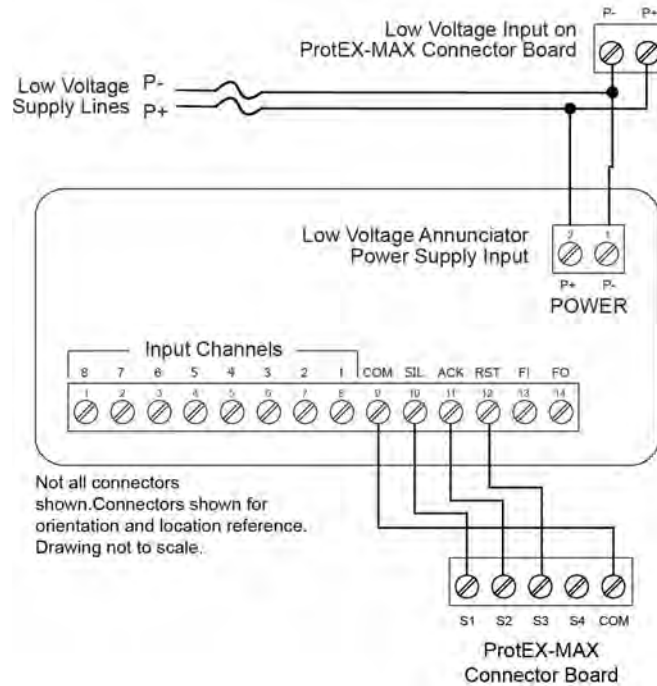
Figure 1: Integrated Vigilante II (PD8-154-6 & PD8-158-6) Required Connections

**Required Connections on PD8-154-7 and PD8-158-7 Series Models**

Low voltage PD8-154-7 and PD8-158-7 models require low voltage power to be supplied to the power supply connector on the ProtEX-MAX connector board as well as to the integrated Vigilante II connections as described in the Vigilante II Instruction Manual.

In addition, four wires connect the remote switch inputs of the annunciator to the ProtEX-MAX connector board. These wires must remain connected for the SafeTouch buttons to function.

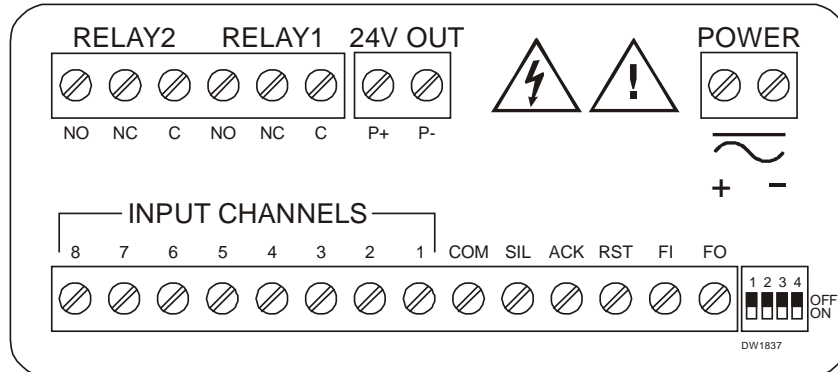
**NOTICE** The connections described in this section must remain connected for the SafeTouch buttons to function.



**Figure 2: Integrated Vigilante II (PD8-154-7 & PD8-158-7) Required Connections**

### Connector Labeling

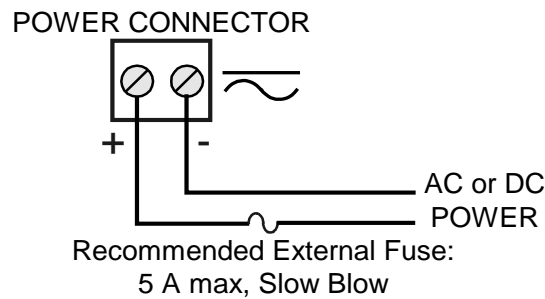
The connectors label, affixed to the instrument, shows the location of all connectors available with requested configuration.



**Figure 3. Connector Labeling for PD158-6R2-1**

### Power Connections

Power connections are made to a two-terminal connector labeled POWER on Figure 3. The instrument will operate regardless of DC polarity connection. The + and - symbols are only a suggested wiring convention.



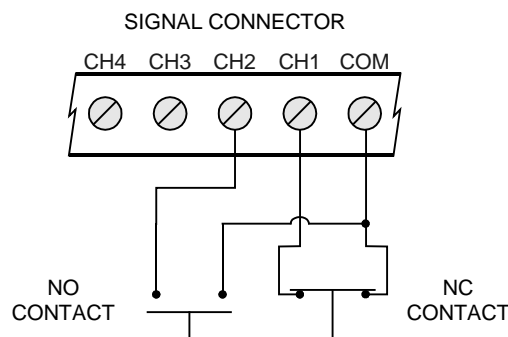
**Figure 4. Power Connections**

### Signal Connections

Input signal connections are made to a 14-terminal connector at terminals labeled INPUT CHANNELS on Figure 3. The COM (common) terminal is the return for all types of input signals.

#### Normally Open (NO) or Normally Closed (NC) Switches

The following figure shows an example of normally open or normally closed contact inputs. Programming a channel for a normally open or normally closed contact is done with the front panel pushbuttons (see page 21). All channels are initially set for normally open contacts. Each contact is wired across an input channel and common.



**Figure 5. NO/NC Contact Inputs**

### Open Collector NPN Transistor

Each transistor collector is connected to a separate input channel and all emitters connected to common. All channels are factory set for transistor inputs normally in the cutoff or “off” state. For normally active/saturation state or “on” transistors, program inputs for normally closed input operation; see page 21. Open circuit voltage is approximately 3.3 VDC provided by a 47 kΩ internal pullup resistor. The following figure shows an example of open collector NPN transistor inputs.

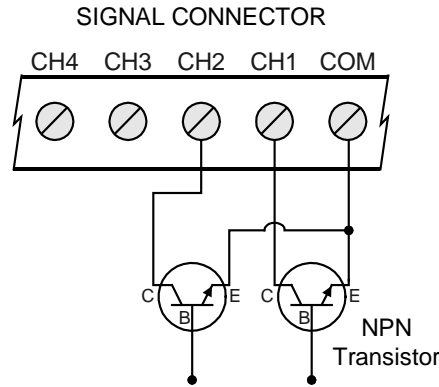


Figure 6. Open Collector NPN Transistor Inputs

### Logic Level Inputs

Each logic level input is connected to an input channel with common as the return. Logic level inputs are factory set for normally high active logic level inputs. For normally low input logic levels, program inputs for normally closed input operation, see page 21.

- Logic Level Low: 0 to 1.4 VDC
- Logic Level High: 1.5 to 28 VDC
- Input Impedance: Approximately 47 kΩ

### Relays and 24 V Output Connections

Relay connections are made to a six-terminal connector labeled RELAY1, RELAY2 on Figure 3. The COM (common) terminals of the relays should not be confused with the COM (common) terminal of the signal connector. The 24 VDC output is available at the connector labeled 24V OUT, next to the relays connector.

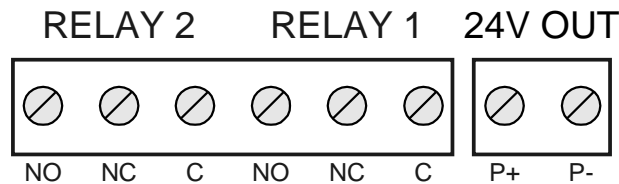
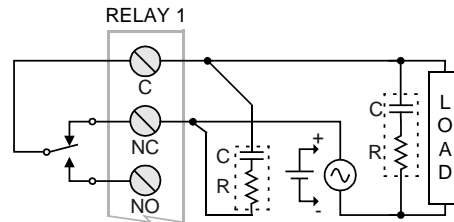


Figure 7. Relay & 24 V Output Connections



### Switching Inductive Loads

The use of suppressors (snubbers) is strongly recommended when switching inductive loads to prevent disrupting the microprocessor's operation. The suppressors also prolong the life of the relay contacts. Suppression can be obtained with resistor-capacitor (RC) networks assembled by the user or purchased as complete assemblies. Refer to the following circuits for RC network assembly and installation:



**Figure 8. AC and DC Loads Protection**

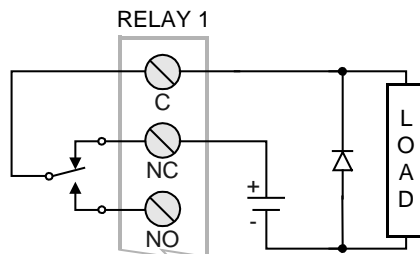
Choose R and C as follows:

R: 0.5 to 1  $\Omega$  for each volt across the contacts

C: 0.5 to 1  $\mu\text{F}$  for each amp through closed contacts

**Notes:**

1. Use capacitors rated for 250 VAC.
2. RC networks may affect load release time of solenoid loads. Check to confirm proper operation.
3. Install the RC network at the meter's relay screw terminals. An RC network may also be installed across the load. Experiment for best results.



Use a diode with a reverse breakdown voltage two to three times the circuit voltage and forward current at least as large as the load current.

**Figure 9. Low Voltage DC Loads Protection**

#### RC Networks Available from Precision Digital

RC networks are available from Precision Digital and should be applied to each relay contact switching an inductive load. Part number: PDX6901.

**External Input Types**

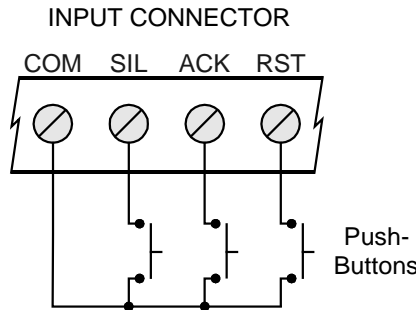
The external Silence (SIL), Acknowledge (ACK), and Reset (RST) inputs may be: contacts (i.e. pushbuttons, relay contacts, etc.), open collector inputs (OC), or TTL signals. However, throughout this manual, the term “pushbutton” is used to describe these external inputs. Please refer to the chart below for signal logic.

External Input Type	Active When
Switch/Contact	Closed
Open Collector (OC)	On
TTL	Low

**External Pushbutton Connections**

The front panel pushbuttons may also be triggered with pushbuttons connected to the signal connector terminals shown in Figure 3. Switch SIL to common for the silence pushbutton, ACK to common for the acknowledge pushbutton, and RST to common for the reset pushbutton.

The following figure shows external pushbutton wiring connections. Do not wire-short the external pushbutton contacts to common.

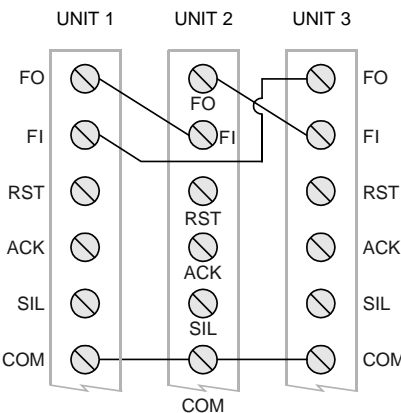


**Figure 10. External Pushbutton Connections**

**Multiple Unit First-Out Indication Connections**

Multiple PD8-158 and PD8-154 units can keep a single first-out channel indicated for all connected units. An unlimited number of units may be connected. It is recommended that all units follow the same sequence.

The following figure shows shared first-out indication wiring connections for 3 units. Up to 200 units may be connected for first-out indication.



**Figure 11. System with Multiple Units Share First-Out**

## Setup and Programming

### Overview

There are no jumpers involved in the setup process of the annunciator. The sequence selector switch, located on the rear of the internal electronics module above the signal connector must be set accordingly for annunciator sequence desired.

Normally open or normally closed input setup, relay fail-safe, and additional sequence options are programmed with the infrared through-glass SafeTouch buttons, or using the mechanical buttons when uncovered. There is a slide switch located on the connector board. This is used to enable or disable SafeTouch Buttons.

After power and signal connections have been completed and verified, and the sequence selector switch has been set appropriately, apply power to the annunciator.

For a **Quick Setup Guide** go to page 4

### SafeTouch Buttons

The ProtEX-MAX is equipped with four sensors that operate as through-glass buttons so that it can be programmed and operated without removing the cover (and exposing the electronics) in a hazardous area.

These buttons can be disabled for security by selecting DISABLE on the switch labeled NO-CONTACT BUTTONS located on the connector board.

To actuate a button, press one finger to the glass directly over the marked button area. Then retract finger more than three inches from the glass before pressing the next button. When the cover is removed, the four mechanical buttons located next to the sensors are used. The sensors are disabled when a mechanical button is pressed and will automatically be re-enabled after 60 seconds of inactivity.

The SafeTouch Buttons are designed to filter normal levels of ambient interference and to protect against false triggering, however, it is recommended that the SafeTouch Buttons be disabled (slide switch to LOCK) if there is an infrared interference source in line-of-sight to the display.

The SafeTouch Buttons are configured by default to duplicate the function of the front panel mechanical pushbuttons associated with the integrated meter. The symbols by each SafeTouch button correspond to a mechanical button as shown in the table on the next page.

#### SafeTouch Button Tips:




- To the extent possible, install the display facing away from sunlight, windows, reflective objects and any sources of infrared interference.
- Keep the glass window clean.
- Tighten the cover securely.
- Use a password to prevent tampering.



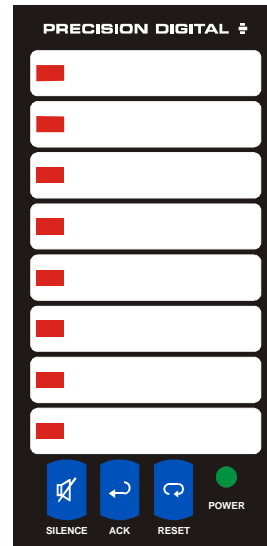
**WARNING**

Take caution when cleaning the window glass as it may result in unintentional SafeTouch button events. Only clean the ProtEX-MAX when the system is safely shut down and inspect the ProtEX-MAX for proper configuration prior to system restart.

## Front Panel Pushbuttons and Status LED Indicators

Button	Description
	Silence Horn
	Acknowledge Alarm
	Reset Clear Input Channels
LED	Description
Red Indicators <sup>1</sup>	Channel status indicators
Green Indicator	Indicates power is on.

1. Quantity 4 red LED on the PD154  
Quantity 8 red LED on the PD158



### Pushbutton Descriptions

#### SILENCE

Silences the audible alarm without affecting the indication sequence states. This pushbutton may be disabled (see page 26).

#### ACK (Acknowledge)

Acknowledges alarmed channels. See selected sequence details for complete function description (see page 29).

#### RESET

Resets all acknowledged channels. This button is not used on ISA sequences A, F1A, and F2A, which reset acknowledged channels automatically. See selected sequence details for complete function description (see page 29).

#### LED TEST (SILENCE & ACK)

Press and release the **SILENCE** and **ACK** pushbuttons to flash the channel indicator LEDs for a lamp test.

### Full Function Test

Press and hold **SILENCE** and **ACK** for 5 seconds to perform a function test. This tests the sequence operation and hardware by simulating alarm inputs that are cleared in the normal sequence progression. During the function test, all channels enter a simulated alarm state for 3 seconds. All LEDs, pushbuttons, relays, and the audible alarm will follow the selected sequence as if the simulated alarm inputs were real. After 3 seconds, the alarms may be cleared as normal for the selected sequence.

### Multiple Unit First-Out Indication

If multiple Vigilante II annunciators are connected for multiple unit shared first-out indication (see page 17), only one input from all connected devices will display as a first-out alarm.

Each individual annunciator will acknowledge and reset the channels on that unit using the pushbuttons on that unit, and independent of all other connected units. Only the unit displaying the first-out will sound the audible alarm.

It is recommended that all connected units be set for the same first-out sequence.

## Shared Front Panel Buttons

To control all the units from any of the front panels, connect the SIL, ACK, RST, and COM terminals on each unit.

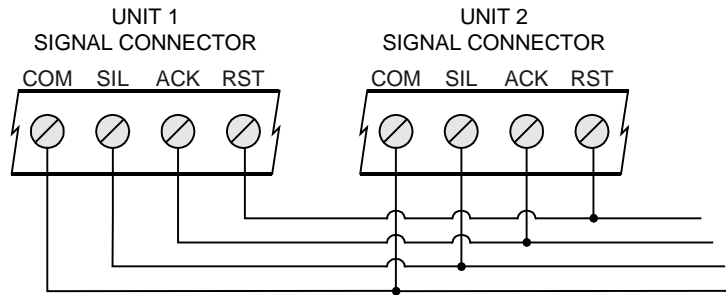
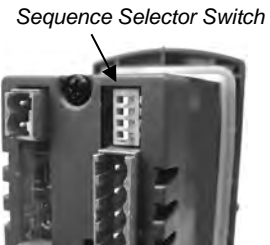


Figure 12. Shared Pushbutton Connections

## Annunciator Sequence Selection

The alarm sequence is selected with the DIP switch located above the signal connector. Changing sequences while the unit is on will restart the unit.



## Sequence Programming

Set switches to the positions shown below for the desired sequence. The annunciator will immediately restart and operate with the new sequence.

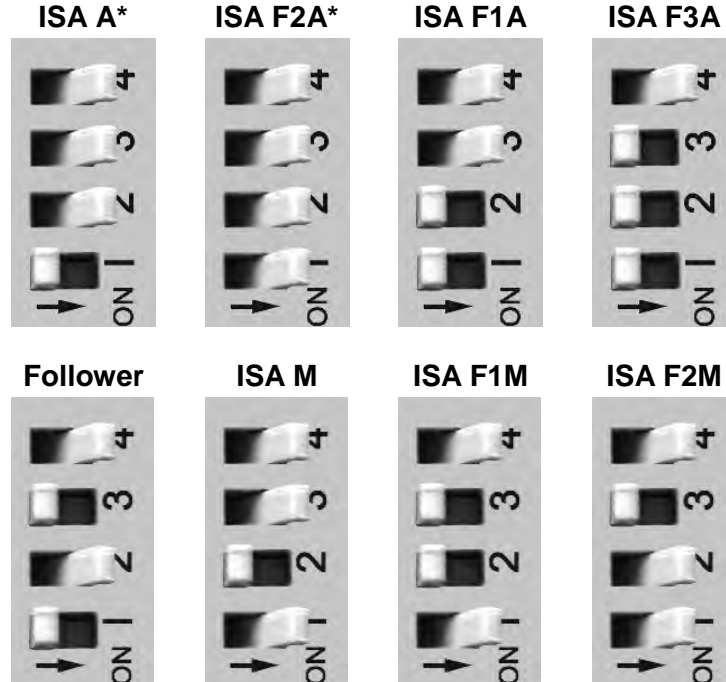


Figure 13. DIP Switch Location

\*Common sequences available on other Precision Digital Annunciators

## Sequence Descriptions

Complete sequence descriptions begin on page 29.

## Normally Open/Normally Closed Input Setup

Each input channel is independently programmed for a normally open or normally closed input. All channels are initially programmed at the factory for normally open inputs.

### Alarm Conditions for normally open inputs:

1. A closed contact between an input channel and common will cause an alarm condition.
2. An “on” or active transistor between an input channel and common will cause an alarm condition.
3. An active logic level low on an input channel will cause an alarm condition.

### Alarm Conditions for normally closed inputs:

1. An open contact between an input channel and common will cause an alarm condition.
2. An “off” or cutoff state transistor between an input channel and common will cause an alarm condition.
3. An active logic level high or no supplied active logic level on an input channel will cause an alarm condition.

## Programming NO/NC Inputs

1. Press and hold **ACK** and **RESET** for 3 seconds until all LEDs cycle, then release
2. Press **ACK** within 3 seconds of release while LEDs cycle.<sup>1</sup>
3. Press **ACK** within 3 seconds of release while LEDs blink.<sup>1</sup>
4. Press the **RESET** pushbutton to turn LED 1 off for a NO input, or on for a NC input on input channel 1.
5. Press **ACK** to accept the input type and program channel 2.
6. Repeat steps 4 and 5 for all input channels.
7. Press and hold **ACK** for five seconds to return to normal operation with the programmed input types.

During programming, the LED for the channel being programmed will display as either off or brightly on. All other LEDs will be dim.

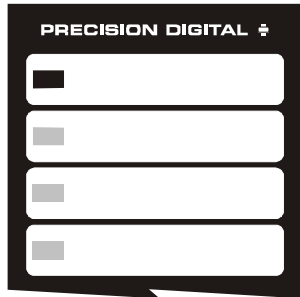
The green power LED will blink slowly to indicate the unit is in NO/NC setup mode. The unit will automatically leave setup mode if no pushbutton is pressed for 3 minutes.

<sup>1</sup>The unit will automatically leave setup mode if steps 2 and 3 are not followed.

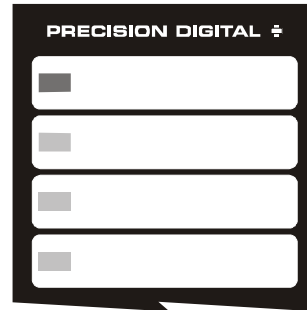
### NO/NC Programming Example

The following is an example of NO/NC setup. Input channel 1 and 2 are changed from the default settings of NO to be NC inputs.

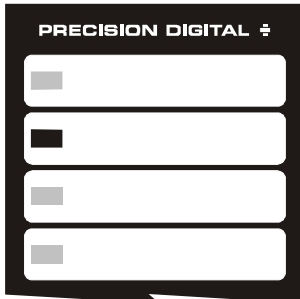
1. Press and hold **ACK** and **RESET** for 3 seconds. When all LEDs cycle, release.
2. Press **ACK** within 3 seconds. All LEDs blink in unison.
3. Press **ACK** again while LEDs blink



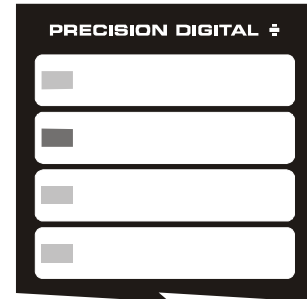
4. LED 1 will be off indicating a NO input for channel 1. All other LEDs will be dim.



5. Press **RESET** to change LED 1 from off to on, setting channel 1 for a NC input.



6. Press **ACK** to confirm the NC setting and proceed to program channel 2.



7. Press **RESET** to change LED 2 from off to on, setting channel 2 for a NC input.

8. Press **ACK** to confirm the NC setting and program channel 3.
9. Press and hold **ACK** for five seconds to return to normal operation.



## Relay Operation

Relays 1 and 2 have standard functionality as defined below.

### Relay 1 Operation

Relay 1 enters alarm state when there is a new alarm. This relay will clear when the alarm is acknowledged, generally by pressing the **ACK** pushbutton.

### Relay 2 Operation

Relay 2 enters alarm state when any channel displays in alarm state. This relay will clear when all indication LEDs are cleared.

### Relay Fail-Safe

In fail-safe operation, a relay coil is energized in non-alarm condition. In case of power failure, relays will go to alarm state. Fail-safe operation is set independently for each relay.

### Programming Relay Fail-Safe

1. Press and hold **ACK** and **RESET** for 3 seconds. When all LEDs cycle, release.
2. Press **RESET** within 3 seconds of release while LEDs cycle.<sup>1</sup>
3. Press **RESET** within 3 seconds of release while LEDs blink.<sup>1</sup>
4. Press the **RESET** pushbutton to turn LED 1 off for normal operation, or on for fail-safe operation of Relay 1.
5. Press **ACK** to accept the type of operation for Relay 1.
6. Press the **RESET** pushbutton to turn LED 2 off for normal operation, or on for fail-safe operation of Relay 2.
7. Press **ACK** to accept the type of operation for Relay 2.
8. Press and hold **ACK** for five seconds to return to operation.

During programming, LEDs 1 through 4 will light. The LED being programmed will display as either off or brightly on. The other 3 LEDs will be dim. On a PD158, LEDs 5 through 8 will be off.

The green power LED will blink quickly to indicate the unit is in the advanced programming mode. The unit will automatically leave setup mode if no pushbutton is pressed for 3 minutes.

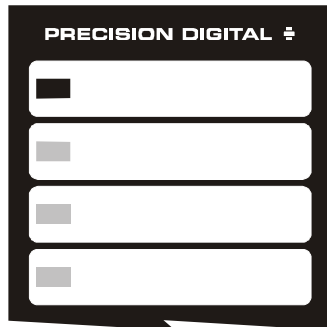
**Note:** LED 3 and 4 are used for the silence pushbutton enable/disable option (see page 26) and no lock-in option (see page 26)

<sup>1</sup>The unit will automatically leave setup mode if steps 2 and 3 are not followed.

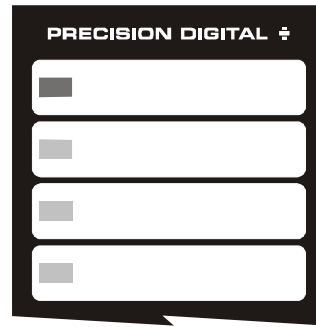
## Relay Fail-Safe Programming Example

The following is an example of relay fail-safe setup. Relays 1 and 2 are changed from the default settings of normal operation to fail-safe operation.

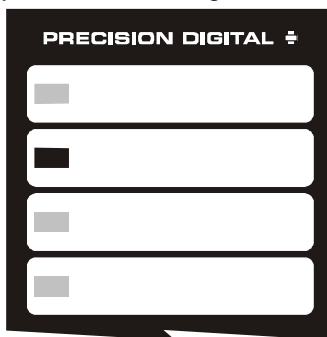
1. Press and hold **ACK** and **RESET** for 3 seconds. When all LEDs cycle, release.
2. Press **RESET** within 3 seconds of release while LEDs cycle. All LEDs blink in unison.
3. Press **RESET** again within 3 seconds while LEDs blink



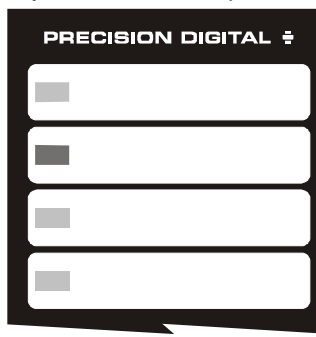
4. LED 1 will be off indicating normal operation of relay 1. LEDs 2 through 4 will be dim.



5. Press Reset to change LED 1 from off to on, setting relay 1 for fail-safe operation.



6. Press **ACK** to confirm the setting for relay 1 and proceed to program relay 2.



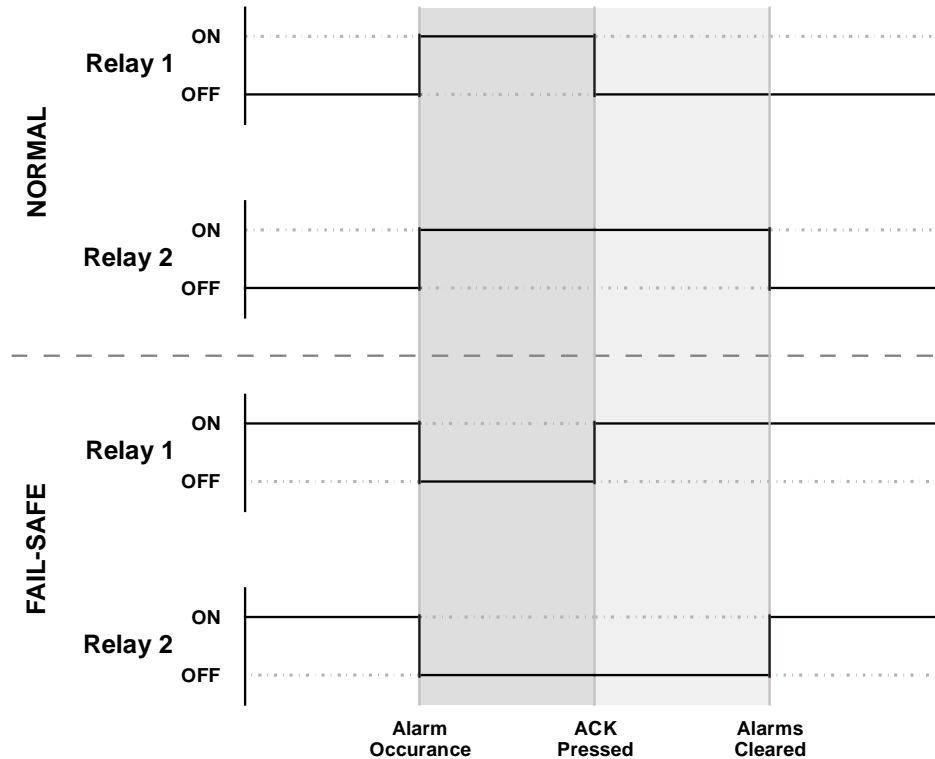
7. Press **RESET** to change LED 2 from off to on, setting relay 2 for fail-safe operation.

8. Press **ACK** to confirm the setting for relay 2.
9. Press and hold **ACK** for 5 seconds to return to normal operation.

**Note:** LEDs 3 and 4 are used for the silence pushbutton enable/disable option (see page 26) and no lock-in option (see page 26)

## Relay Operation Overview

The following figure illustrates the operation of the relays.



**Relay On:** Relay is energized

**Relay Off:** Relay is de-energized.

**Alarm Occurrence:** A new alarm occurs when there is no previous unacknowledged alarm.

**ACK Pressed:** The Acknowledge pushbutton is pressed, acknowledging the alarm.

**Alarms Cleared:** All LED indicators are cleared of alarm state indication

## Audible Horn Enable/Disable

The annunciator contains an audible internal horn. This horn may be disabled with the rear-mounted switch located above the signal connector. To enable the horn, move switch 4 to the ON position. To disable the horn, move switch 4 to the OFF position.



Sequence F2A  
Horn Enabled



Sequence F2A  
Horn Disabled

## Enabling/Disabling Silence Option

ISA sequence option 1, *Silence Pushbutton*, includes a silence pushbutton. This option may be disabled, removing any effects of the silence pushbutton or silence pushbutton external contact. This option is enabled by factory default.

### Silence Pushbutton Enable/Disable

1. Press and hold **ACK** and **RESET** for 3 seconds until all LEDs cycle, then release.
2. Press **RESET** within 3 seconds of release while LEDs cycle.<sup>1</sup>
3. Press **RESET** within 3 seconds of release while LEDs blink.<sup>1</sup>
4. Press the **ACK** pushbutton twice until LED 3 is either off or brightly on.
5. Press the **RESET** pushbutton to turn LED 3 off to disable the silence pushbutton or brightly on to enable the silence pushbutton.
6. Press **ACK** to accept the silence pushbutton setting.
7. Press and hold **ACK** for five seconds to return to normal operation.

The green power LED will blink quickly to indicate the unit is in the advanced programming mode. The unit will automatically leave setup mode if no pushbutton is pressed for 3 minutes.

**Note:** LED 1 and 2 are used for relay fail-safe setup (see page 23)

<sup>1</sup>The unit will automatically leave setup mode if steps 2 and 3 are not followed.

## No Lock-In Sequence Option

ISA sequence option 4 *no lock-in*, may be added to any sequence. Momentary alarms will clear without the **ACK** pushbutton. Sequences A, F1A, F2A, and F3A will automatically clear any momentary alarm. Sequences M, F1M, and F2M will clear all momentary alarms when the **RESET** pushbutton is used, regardless of what channels have previously been acknowledged with **ACK**.

### Selecting No Lock-In Operation

1. Press and hold **ACK** and **RESET** for 3 seconds until all LEDs cycle, then release.
2. Press **RESET** within 3 seconds of release while LEDs cycle.<sup>1</sup>
3. Press **RESET** within 3 seconds while LEDs blink.<sup>1</sup>
4. Press the **ACK** pushbutton three times until LED 4 is either off or brightly on.
5. Press the **RESET** pushbutton to turn LED 4 off to disable the no lock-in option or on to enable the no lock-in option.
6. Press **ACK** to accept the option setting.
7. Press and hold **ACK** for five seconds to return to operation.

The green power LED will blink quickly to indicate the unit is in the advanced programming mode. The unit will automatically leave setup mode if no pushbutton is pressed for 3 minutes.

**Note:** LED 1 and 2 are used for relay fail-safe setup (see page 23), and LED 3 is used for silence pushbutton enable/disable (see page 26).

<sup>1</sup>The unit will automatically leave setup mode if steps 2 and 3 are not followed.

## Reset to Factory Defaults

1. Hold the **ACK** and **RESET** pushbuttons for 3 seconds until all red LEDs cycle. Release once the LEDs begin to cycle.
2. Press and hold the **RESET** button for 5 seconds. If the **RESET** button is not pressed within 3 seconds of releasing **ACK** and **RESET**, the unit will return to run mode without reset.
3. Reset the 4-position switch on the rear of the control to the indicated default settings.

**Factory Default  
Switch Positions**



## Service



### WARNINGS

- Installation and service should be performed only by trained service personnel. Service requiring replacement of internal sub-components must be performed at the factory.
- Disconnect from supply before opening enclosure. Keep cover tight while circuits are alive. Conduit seals must be installed within 18" (450mm) of the enclosure.
- Verify that the operating atmosphere of the instrument is consistent with the appropriate hazardous locations certifications.
- If the instrument is installed in a high voltage environment and a fault or installation error occurs, high voltage may be present on any lead
- Read all product labels completely and follow all instructions and requirements listed on the labels for installation or service.

If the enclosure is sound and undamaged, then only the internal electronics housing will need to be returned to the factory for service. Contact the factory for RMA number and return instructions.

## Mounting Dimensions

All units: inches (mm)

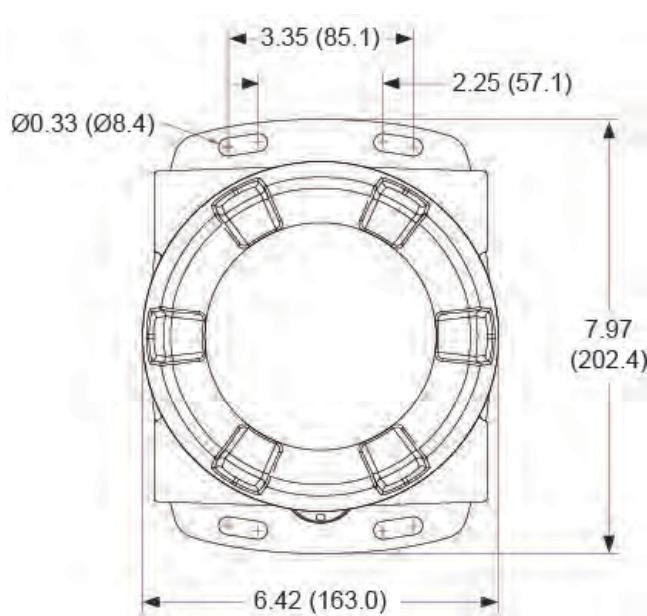


Figure 14: Enclosure Dimensions – Front View

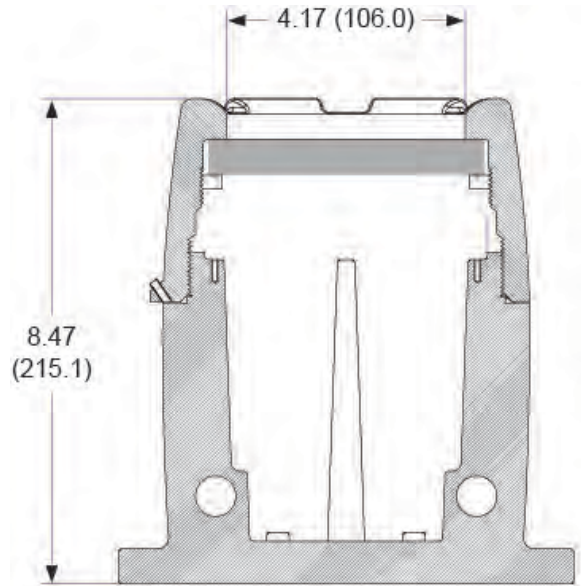


Figure 15: Enclosure Dimensions – Side Cross Section View

## Troubleshooting

If the annunciator is not working as expected, refer to the recommendations below.

### Troubleshooting Tips

Symptom	Check/Action
SafeTouch buttons do not respond	If mechanical button was pushed. The SafeTouch buttons will be re-enabled automatically <b>60 seconds</b> after the last button push. If slide switch on connector board is in DISABLE position, switch to ENABLE. Strong direct sunlight may interfere with SafeTouch button operation. It is recommended to operate the buttons by standing so as to block direct sunlight.
Serial Communications Power LED Indicator is off	<ol style="list-style-type: none"> <li>1. Check modular cable connection</li> <li>2. Check power to the device</li> </ol>
If only the TX (or DATA IN) data status LED is flashing when serial communications attempted	<ol style="list-style-type: none"> <li>1. Check serial cable</li> <li>2. Check protocol selected on device</li> <li>3. Check instrument address &amp; baud rate</li> <li>4. Check program address &amp; baud rate</li> </ol>
If both data status LEDs (TX and RX) are off when trying to communicate	Remove all unnecessary cables and instruments from the bus. Try getting the system to work with only one device (to ease troubleshooting) and then expand the system one device at a time.
Communications slow	Increase the baud rate
Random communication errors	<ol style="list-style-type: none"> <li>1. Increase the TX delay time</li> <li>2. Decrease the baud rate</li> </ol>

Symptom	Check/Action
Power LED is off	<ol style="list-style-type: none"> <li>1. Check modular cable connection</li> <li>2. Check power to instrument</li> </ol>
Audible alarm does not sound when alarm state detected	Check: <ol style="list-style-type: none"> <li>1. Rear switch position 4 is ON.</li> <li>2. No external pushbutton contacts on the input connector are shorted.</li> </ol>
Power light blinks and channel/point indicators flash intermittently when powered up.	Check that no external pushbutton contacts on the signal connector are shorted to common.
Display sequence does not function as expected.	Check: <ol style="list-style-type: none"> <li>1. Verify sequence selection as shown on page 20.</li> <li>2. Check that no external pushbutton contacts on the input connector are shorted.</li> </ol>
If the display locks up or the unit does not respond at all	Cycle the power to restart the microprocessor.
Relay operation is reversed	Check: <ol style="list-style-type: none"> <li>1. Fail-safe settings as shown on page 23.</li> <li>2. Wiring of relay contacts</li> </ol>
Other symptoms not described above	Call Technical Support for assistance.

To reset unit to factory default settings of sequence F2A-1, first out indication with silence and acknowledge pushbuttons with automatic reset, see page 27.

## Full Sequence Descriptions

The following section describes the operation of the various sequences available in the Vigilante® II alarm annunciator.

### Features

**Acknowledge Pushbutton:** Momentary alarms will not clear until the alarmed channels have been acknowledged with the **ACK** pushbutton. This will also reset the first out indication. Used in all ISA sequences.

**Automatic Reset:** Acknowledged momentary alarms will clear automatically when the inputs return to normal. The automatic reset is present in all automatic (A) sequences.

**First-Out Indication:** The sequence provides a distinct visual indication for the first channel to alarm.

**First-Out Reset Pushbutton:** Resets the first-out display and assigns the first-out channel to display as a subsequent alarm without any other changes to the sequence. The next alarm input will be a new first-out alarm. Used only in sequence F3A.

**Reset Pushbutton:** Acknowledged momentary alarms will only clear when reset with the **RESET** pushbutton. Used in any manual reset (M) sequence.

### Sequence Condition Descriptions

The following terms are used in describing the sequence behavior in the following tables:

**Alert:** The input is in alarm state, and the channel has not been acknowledged with the **ACK** pushbutton.

**Acknowledge:** The alarm state is acknowledged with the **ACK** pushbutton. This will restart the first-out indication.

**First Out Reset (F3A Only):** The **RESET** pushbutton is used to reset the first-out indication only.

**Normal:** Inputs are in the normal state.

### LED Condition Descriptions

**1<sup>st</sup> Pt:** Indicates the behavior of the first-out channel only.

**Next Pt:** The behavior of subsequent alarm channels; channels that enter the alarm state after the first-out alarm.



## ISA Sequence A

Acknowledge Pushbutton and Automatic Reset

### Momentary Alarm

Condition	LED	Horn
<i>Normal</i>	Off	Off
<i>Alert</i>	Flash	On
<i>Normal</i>	Flash	On
<b>ACK Pushbutton</b>		
<i>Acknowledged</i>	Off	Off

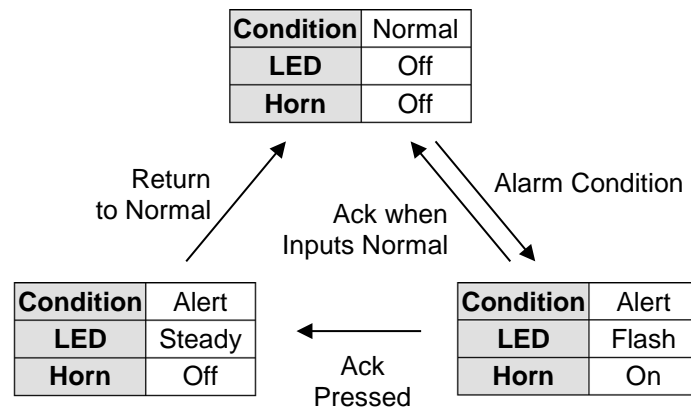
### Maintained Alarm

Condition	LED	Horn
<i>Normal</i>	Off	Off
<i>Alert</i>	Flash	On
<b>ACK Pushbutton</b>		
<i>Acknowledged</i>	Steady	Off
<i>Normal</i>	Off	Off

### Sequence A Switch Positions



### Sequence A Flowchart



## Relay Operation

For complete details on relay function, see page 23.

### Relay 1: Operation

Relay 1 enters alarm state when there is a new alarm. This relay will clear when the alarms are acknowledged.

### Relay 2 Operation

Relay 2 enters alarm state when any channel displays in alarm state. This relay will clear when all indication LEDs are cleared.

## ISA Sequence F2A

First-Out Indication with Acknowledge Pushbutton and Automatic Reset

### Momentary Alarm

Condition	LED		Horn
	1 <sup>st</sup> Pt	Next Pt	
<i>Normal</i>	Off	Off	Off
<i>Alert</i>	Flash	Steady	On
<i>Normal</i>	Flash	Steady	On
ACK Pushbutton			
<i>Acknowledge</i>	Off	Off	Off

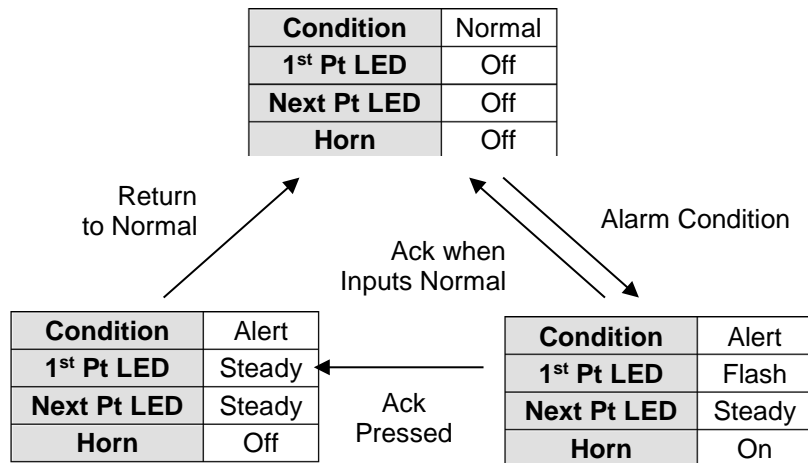
### Maintained Alarm

Condition	LED		Horn
	1 <sup>st</sup> Pt	Next Pt	
<i>Normal</i>	Off	Off	Off
<i>Alert</i>	Flash	Steady	On
ACK Pushbutton			
<i>Acknowledge</i>	Steady	Steady	Off
<i>Normal</i>	Off	Off	Off

### Sequence F2A Switch Positions



### Sequence F2A Flowchart



## ISA Sequence F1A

First-Out Indication with Acknowledge Pushbutton, No Lock-In of Subsequent Alarms, and Automatic Reset

### Momentary Alarm

Condition	LED		Horn
	1 <sup>st</sup> Pt	Next Pt	
Normal	Off	Off	Off
Alert	Flash	Steady	On
Normal	Flash	Off	On
ACK Pushbutton			
Acknowledge	Off	Off	Off
Normal	Off	Off	Off

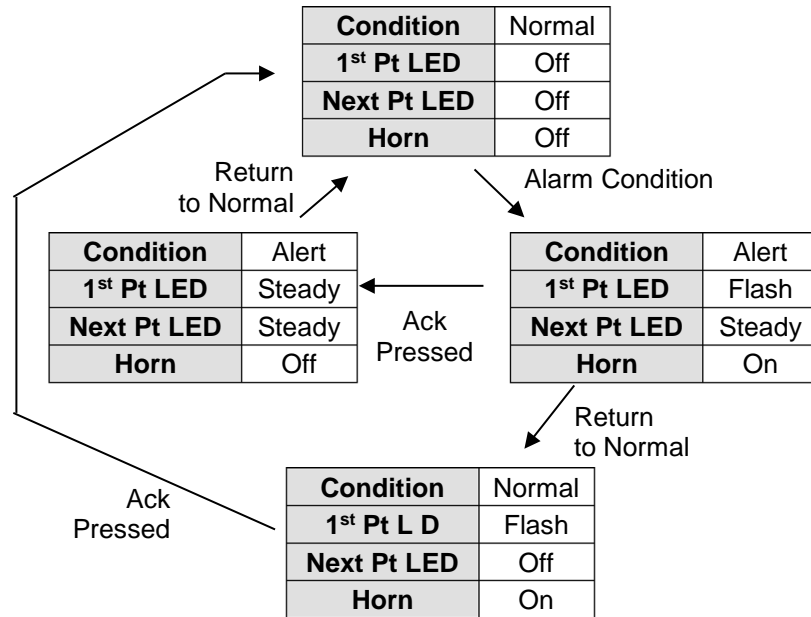
### Maintained Alarm

Condition	LED		Horn
	1 <sup>st</sup> Pt	Next Pt	
Normal	Off	Off	Off
Alert	Flash	Steady	On
ACK Pushbutton			
Acknowledge	Steady	Steady	Off
Normal	Off	Off	Off

### Sequence F1A Switch Positions



### Sequence F1A Flowchart



## ISA Sequence F3A

First-Out Indication with Acknowledge Pushbutton, Automatic Reset, and First-Out Reset Pushbutton

### Momentary Alarm (RESET before ACK)

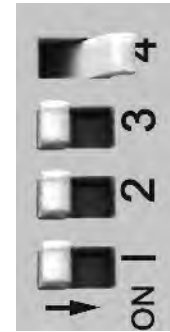
Condition	LED		Horn
	1 <sup>st</sup> Pt	Next Pt	
<i>Normal</i>	Off	Off	Off
<i>Alert</i>	Intermittent Flash	Fast Flash	On
<i>Normal</i>	Intermittent Flash	Fast Flash	On
<b>RESET Pushbutton</b>			
<i>1<sup>st</sup> Out Reset</i>	Fast Flash	Fast Flash	On
<b>ACK Pushbutton</b>			
<i>Acknowledge</i>	Off	Off	Off

### Momentary Alarm (ACK before RESET)

Condition	LED		Horn
	1 <sup>st</sup> Pt	Next Pt	
<i>Normal</i>	Off	Off	Off
<i>Alert</i>	Intermittent Flash	Fast Flash	On
<i>Normal</i>	Intermittent Flash	Fast Flash	On
<b>ACK Pushbutton</b>			
<i>Acknowledge</i>	Slow Flash	Off	Off
<b>RESET Pushbutton</b>			
<i>Reset</i>	Off	Off	Off

### Maintained Alarm (RESET before ACK)

Condition	LED		Horn
	1 <sup>st</sup> Pt	Next Pt	
<i>Normal</i>	Off	Off	Off
<i>Alert</i>	Intermittent Flash	Fast Flash	On
<b>RESET Pushbutton</b>			
<i>1<sup>st</sup> Out Reset</i>	Fast Flash	Fast Flash	On
<b>ACK Pushbutton</b>			
<i>Acknowledge</i>	Steady	Steady	Off
<i>Normal</i>	Off	Off	Off

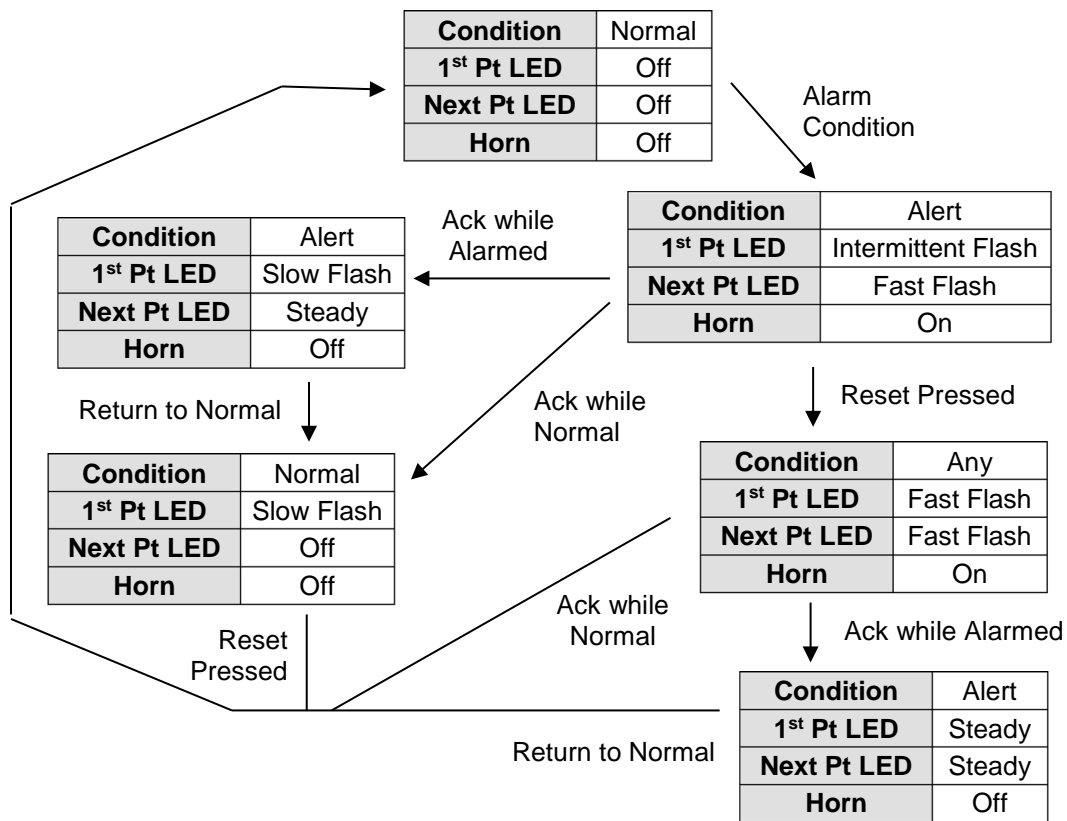


Sequence  
F3A  
Switch  
Positions

**Maintained Alarm (ACK before RESET)**

Condition	LED		Horn
	1 <sup>st</sup> Pt	Next Pt	
Normal	Off	Off	Off
Alert	Intermittent Flash	Fast Flash	On
<b>ACK Pushbutton</b>			
Acknowledge	Slow Flash	Steady	Off
<b>RESET Pushbutton</b>			
1 <sup>st</sup> Out Reset	Steady	Steady	Off
Normal	Off	Off	Off

**Sequence F3A Flowchart**



## Input Follower Indication

### Simple Indication

Condition	LED	Horn
<i>Normal</i>	Off	Off
<i>Alert</i>	Steady	On
<i>Normal</i>	Off	Off

### Switch Positions



## ISA Sequence M

Acknowledge and Reset Pushbuttons

### Momentary Alarm

Condition	LED	Horn
<i>Normal</i>	Off	Off
<i>Alert</i>	Flash	On
<i>Normal</i>	Flash	On
<b>ACK Pushbutton</b>		
<i>Acknowledge</i>	Steady	Off
<b>RESET Pushbutton</b>		
<i>Reset</i>	Off	Off

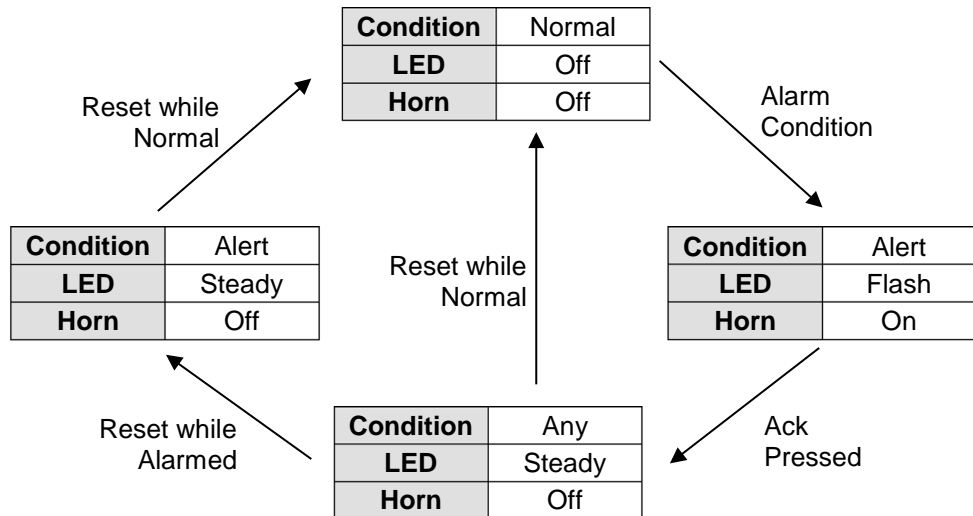
### Maintained Alarm

Condition	LED	Horn
<i>Normal</i>	Off	Off
<i>Alert</i>	Flash	On
<b>ACK Pushbutton</b>		
<i>Acknowledge</i>	Steady	Off
<i>Normal</i>	Steady	Off
<b>RESET Pushbutton</b>		
<i>Normal</i>	Off	Off

### Sequence M Switch Positions



### Sequence M Flowchart



## ISA Sequence F1M

First-Out Indication with Acknowledge and Reset Pushbuttons, and No-Lock-In of Subsequent Alarms

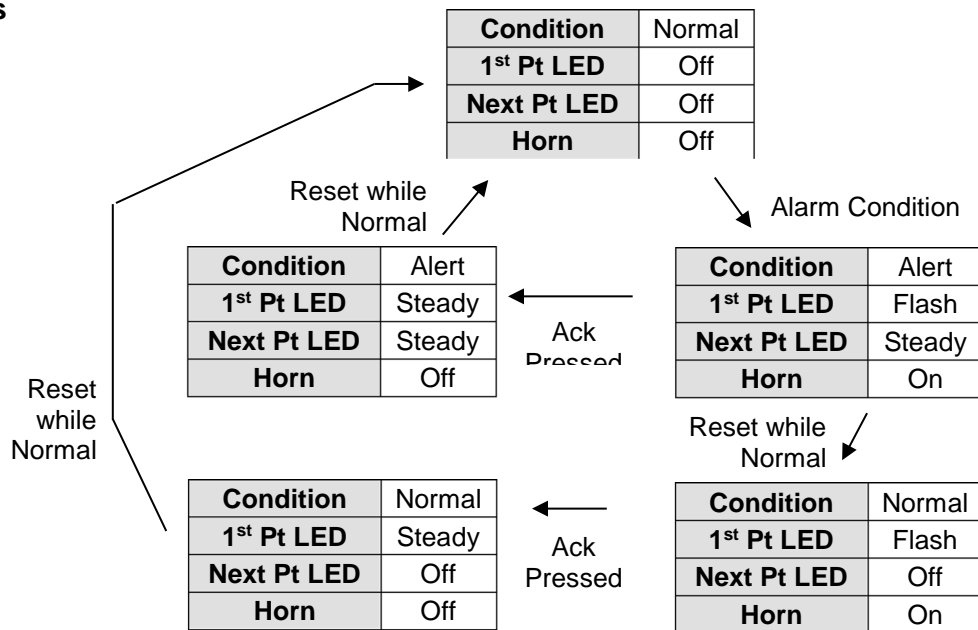
Momentary Alarm			
Condition	LED		Horn
	1 <sup>st</sup> Pt	Next Pt	
Normal	Off	Off	Off
Alert	Flash	Steady	On
Normal	Flash	Steady	On
RESET Pushbutton			
Reset	Flash	Off	On
ACK Pushbutton			
Acknowledge	Steady	Off	Off
RESET Pushbutton			
Normal	Off	Off	Off

Maintained Alarm			
Condition	LED		Horn
	1 <sup>st</sup> Pt	Next Pt	
Normal	Off	Off	Off
Alert	Flash	Steady	On
RESET Pushbutton			
Alert	Flash	Steady	On
ACK Pushbutton			
Acknowledge	Steady	Steady	Off
Normal	Steady	Steady	Off
RESET Pushbutton			
Normal	Off	Off	Off

### Sequence F1M Switch Positions



### Sequence F1M Flowchart



## ISA Sequence F2M

First-Out Indication with Acknowledge and Reset Pushbuttons

### Momentary Alarm

Condition	LED		Horn
	1 <sup>st</sup> Pt	Next Pt	
<i>Normal</i>	Off	Off	Off
<i>Alert</i>	Flash	Steady	On
<i>Normal</i>	Flash	Steady	On
ACK Pushbutton			
<i>Acknowledge</i>	Steady	Steady	Off
RESET Pushbutton			
<i>Reset</i>	Off	Off	Off

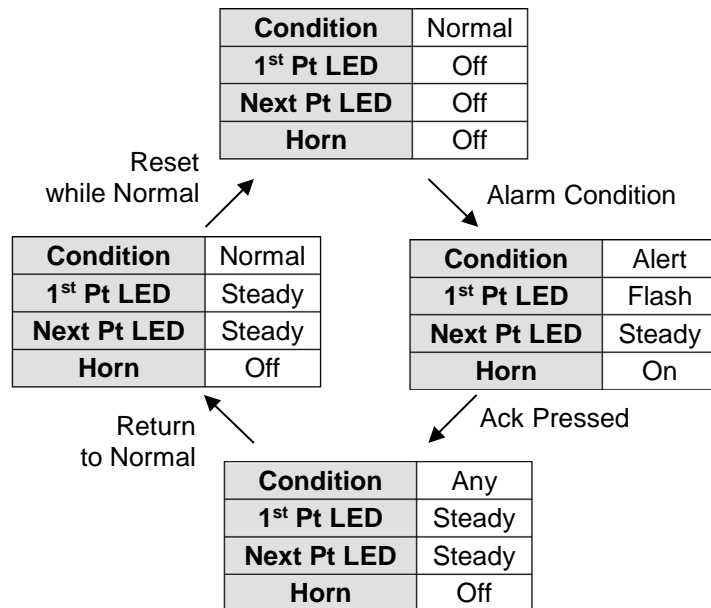
### Maintained Alarm

Condition	LED		Horn
	1 <sup>st</sup> Pt	Next Pt	
<i>Normal</i>	Off	Off	Off
<i>Alert</i>	Flash	Steady	On
ACK Pushbutton			
<i>Acknowledge</i>	Steady	Steady	Off
<i>Normal</i>	Steady	Steady	Off
RESET Pushbutton			
<i>Normal</i>	Off	Off	Off

### Sequence F2M Switch Positions



### Sequence F2M Flowchart





*This Page Intentionally Left Blank*

# EU Declaration of Conformity

Issued in accordance with ISO/IEC 17050-1:2004 and ATEX Directive 2014/34/EU.

We,

**Precision Digital Corporation**  
233 South Street  
Hopkinton, MA 01748 USA

as the manufacturer, declare under our sole responsibility that the product(s),

**Model PD8 ProtEX-MAX Series**

to which this declaration relates, is in conformity with the European Union Directives shown below:

<b>2014/35/EU</b>	<b>Low Voltage Directive</b>
<b>2014/34/EU</b>	<b>ATEX Directive</b>
<b>2014/30/EU</b>	<b>EMC Directive</b>
<b>2011/65/EU</b>	<b>RoHS Directive</b>

This conformity is based on compliance with the application of harmonized or applicable technical standards and, when applicable or required, a European Union notified body certification.


#### Standards:

EN 55022:2007	EN 61000-6-2:2005	EN 60079-0:2009	EN 61000-6-4:2007
EN 60079-1:2007	EN 61010-1:2001	EN 60079-31:2008	EN 61326:2006

The standards EN 55022:2007, EN 60079-0:2009, EN 60079-1:2007, EN 60079-31:2008, EN 61000-6-4:2007, EN 61010-1:2001, and EN 61326:2006 are no longer harmonized. The requirements of these standards have been checked against the harmonized standard EN 55022:2010, EN 60079-0:2012+A11:2013, EN 60079-1:2014, EN 60079-31:2014, EN 61000-6-4:2007+A1:2011, EN 61010-1:2010, and EN 61326:2013 and there were no major technical changes affecting the latest technical knowledge for the products listed above.

**EC Type Examination Certificate:** Sira 12ATEX1182

#### Product Markings:

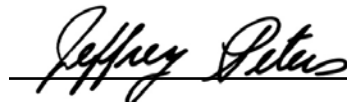
 II 2 G D  
Ex d IIC T\* Gb  
Ex tb IIIC T90°C Db IP68  
Tamb = -40°C to +\*°C (\*T5 = 65°C, \*T6 = 60°C)

**ATEX Notified Body for EC Type Examination Certificate:** Sira Certification Service, NB 0518  
Unit 6, Hawarden Industrial Park  
Hawarden, Deeside, CH5 3US, UK

**ATEX Quality Assurance Notification No.:** SIRA 10 ATEX M462

**ATEX Notified Body for Quality Assurance:** Sira Certification Service, NB 0518  
Unit 6, Hawarden Industrial Park  
Hawarden, Deeside, CH5 3US, UK

Signed for and on behalf of Precision Digital Corporation:



Name: Jeffrey Peters  
Company: Precision Digital Corporation  
Title: President  
Date: 02/12/2018



Document No: DoC PD8 {021218}

## How to Contact Precision Digital

- For Technical Support please  
Call: (800) 610-5239 or (508) 655-7300  
Fax: (508) 655-8990  
Email: [support@predig.com](mailto:support@predig.com)
- For Sales Support or to place an order please  
Call: (800) 343-1001 or (508) 655-7300  
Fax: (508) 655-8990  
Email: [sales@predig.com](mailto:sales@predig.com)
- For the latest version of this manual please visit  
[www.predig.com](http://www.predig.com)

### PRECISION DIGITAL CORPORATION

233 South Street • Hopkinton MA 01748 USA  
Tel (800) 343-1001 • Fax (508) 655-8990



[www.predig.com](http://www.predig.com)