



Float-type flow meter

- Flow measurement for translucent liquids and gases
- DN 10 to DN 65 mm

If a medium with sufficient flow rate flows from bottom to top through a vertically inserted measuring tube, then the floated element raised so far, till an equilibrium between the lift strength of the medium itself and the weight of the floated element is adjusted. Since the average flow rate is proportional to the flow quantity per time unit, the determined equilibrium corresponds to the flow volume.

Flow meters with solenoid floated elements can be equipped with limit value contacts.

Technical data					
Orifice	DN 10 to 65				
Material	Measuring tube Polyamide (PA), Polysulfon (PSU), PVC-U Float PVDF (without and with solenoid) Inserts PVDF Connection Standard PVC-U true union On request: PVC-U internal thread PP welded sleeve PP weld end PP internal thread PVDF welded sleeve PVDF weld end PVDF internal thread Malleable cast iron internal thread Stainless steel V4A internal thread O Ring EPDM, (FPM on request)				
Seal (O-Ring)	O Ring EPDM, (FPM on request)				
Medium	Neutral and aggressive fluids				
Media temperature	Measuring tube material	Fittings material			
		PVC-U	PVDF	Cast iron	St. steel
	PVC-U	40 °C	40 °C	40 °C	40 °C
	PA	60 °C	60 °C	60 °C	60 °C
	PSU	60 °C	100 °C	100 °C	100 °C
Ambient temperature	Max. +55 °C				
Nominal pressure	max. 10 bar ¹⁾				
Measurement range	1.5 to 60000 l/h				
Accuracy	Flow rate in %	20%	50%	70%	100%
Class 4	Total error v. measured value in %	8	5	4.25	4
acc. to VDE/VDI 3513 Sheet 2	Total error v. final value in %	1.6	2.5	3.4	4
Indicating scale	absolute in l/h and relative % 2 adjustable limit indicators				
Option	Contact limit switch Measuring value sensor				
Installation	Vertical medium current from below to above				

¹⁾ Pressure values [bar]: Measured as overpressure to the atmospheric pressure

Other versions, non standard scales for gases, medium with special viscosity, special measuring units on request

Ordering chart

Overall length 165 mm measuring tube PSU

Orifice DN [mm]	Connection [mm]	Measuring range H ₂ O l/h	Pressure value loss mbar	Item no. without solenoid	Item no. with solenoid
10	16	1.5 - 15	4.5	781 308	781 319
10	16	2.5 - 25	4.5	781 309	781 320
10	16	5 - 50	4.5	781 310	781 321
10	16	10 - 100	4.5	781 311	781 322

Overall length 185 mm measuring tube PSU

Orifice DN [mm]	Connection [mm]	Measuring range H ₂ O l/h	Pressure value loss mbar	Item no. without solenoid	Item no. with solenoid
15	20	8 - 80	5	781 312	781 323
15	20	15 - 150	5	781 313	781 324
15	20	20 - 200	5	781 314	781 325

Overall length 200 mm measuring tube PSU

Orifice DN [mm]	Connection [mm]	Measuring range H ₂ O l/h	Pressure value loss mbar	Item no. without solenoid	Item no. with solenoid
25	32	15 - 150	9	781 315	781 326
25	32	30 - 300	9	781 316	781 327
25	32	50 - 500	9	781 317	781 328
25	32	100 - 1000	9	781 318	781 329

Overall length 335 mm measuring tube PVC-U

Orifice DN [mm]	Connection [mm]	Measuring range H ₂ O l/h	Pressure value loss mbar	Item no. without Solenoid	Item no. with solenoid
25	32	50 - 500	23	770 352	770 365
25	32	100 - 1000	23	770 353	770 366
32	40	150 - 1500	23	770 354	770 367
32	40	250 - 2500	23	770 355	770 368
40	50	200 - 2000	25	770 356	770 369
40	50	300 - 3000	25	770 357	770 370
40	50	600 - 6000	25	770 358	770 371
50	63	600 - 6000	25	770 359	770 372
50	63	1000 - 10000	25	770 360	770 373
50	63	1500 - 15000	29	770 361	770 374
65	75	2000 - 20000	46	770 362	770 375
65	75	3000 - 30000	46	770 363	770 376
65	75	8000 - 60000	48	770 364	770 377

Ordering chart

Overall length 335 mm measuring tube PA

Orifice DN mm	Connection mm	Measuring range H ₂ O l/h	Pressure value loss mbar	Item no. without solenoid	Item no. with solenoid
25	32	50 - 500	23	770 300	770 313
25	32	100 - 1000	23	770 301	770 314
32	40	150 - 1500	23	770 302	770 315
32	40	250 - 2500	23	770 303	770 316
40	50	200 - 2000	25	770 304	770 317
40	50	300 - 3000	25	770 305	770 318
40	50	600 - 6000	25	770 306	770 319
50	63	600 - 6000	25	770 307	770 320
50	63	1000 - 10000	25	770 308	770 321
50	63	1500 - 15000	29	770 309	770 322
65	75	2000 - 20000	46	770 310	770 323
65	75	3000 - 30000	46	770 311	770 324
65	75	8000 - 60000	48	770 312	770 325

Overall length 335 mm measuring tube PSU

Orifice DN [mm]	Connection [mm]	Measuring range H ₂ O l/h	Pressure value loss mbar	Item no. without solenoid	Item no. with solenoid
25	32	50 - 500	23	770 326	770 339
25	32	100 - 1000	23	770 327	770 340
32	40	150 - 1500	23	770 328	770 341
32	40	250 - 2500	23	770 329	770 342
40	50	200 - 2000	25	770 330	770 343
40	50	300 - 3000	25	770 331	770 344
40	50	600 - 6000	25	770 332	770 345
50	63	600 - 6000	25	770 333	770 346
50	63	1000 - 10000	25	770 334	770 347
50	63	1500 - 15000	29	770 335	770 348
65	75	2000 - 20000	46	770 336	770 349
65	75	3000 - 30000	46	770 337	770 350
65	75	8000 - 60000	48	770 338	770 351

Overall length 350 mm measuring tube PVC-U

Orifice DN [mm]	Connection [mm]	Measuring range H ₂ O l/h	Pressure value loss mbar	Item no. without Solenoid	Item no. with solenoid
25	32	50 - 500	23	770 430	770 443
25	32	100 - 1000	23	770 431	770 444
32	40	150 - 1500	23	770 432	770 445
32	40	250 - 2500	23	770 433	770 446
40	50	200 - 2000	25	770 434	770 723
40	50	300 - 3000	25	770 435	773 247
40	50	600 - 6000	25	770 436	770 533
50	63	600 - 6000	25	770 437	770 534
50	63	1000 - 10000	25	770 438	770 535
50	63	1500 - 15000	29	770 439	770 536
65	75	2000 - 20000	46	770 440	770 537
65	75	3000 - 30000	46	770 441	770 538
65	75	8000 - 60000	48	770 442	770 539

Ordering chart

Overall length 350 mm measuring tube PA

Orifice DN [mm]	Connection [mm]	Measuring range H ₂ O l/h	Pressure value loss mbar	Item no. without solenoid	Item no. with solenoid
25	32	50 - 500	23	770 378	770 391
25	32	100 - 1000	23	770 379	770 392
32	40	150 - 1500	23	770 380	770 393
32	40	250 - 2500	23	770 381	770 394
40	50	200 - 2000	25	770 382	770 395
40	50	300 - 3000	25	770 383	770 396
40	50	600 - 6000	25	770 384	770 397
50	63	600 - 6000	25	770 385	770 398
50	63	1000 - 10000	25	770 388	770 399
50	63	1500 - 15000	29	770 387	770 400
65	75	2000 - 20000	46	770 388	770 401
65	75	3000 - 30000	46	770 389	770 402
65	75	8000 - 60000	48	770 390	770 403

Overall length 350 mm measuring tube PSU

Orifice DN [mm]	Connection [mm]	Measuring range H ₂ O l/h	Pressure value loss mbar	Item no. without solenoid	Item no. with solenoid
25	32	50 - 500	23	770 404	770 417
25	32	100 - 1000	23	770 405	770 418
32	40	150 - 1500	23	770 406	770 419
32	40	250 - 2500	23	770 407	770 420
40	50	200 - 2000	25	770 408	770 421
40	50	300 - 3000	25	770 409	770 422
40	50	600 - 6000	25	770 410	770 423
50	63	600 - 6000	25	770 411	770 424
50	63	1000 - 10000	25	770 412	770 425
50	63	1500 - 15000	29	770 413	770 426
65	75	2000 - 20000	46	770 414	770 427
65	75	3000 - 30000	46	770 415	770 428
65	75	8000 - 60000	48	770 416	770 429

Accessories, TEU007

Technical data - Contact limit value	
Switching voltage	230 V / 50 Hz
Switching current	max. 0.5 A
Contact rating	max. 10 W / 12 VA
Contact mounting with inductive load	Reed contact, bistable Protective relay contact used
Resistor channel	< 200 Ohm
Isolation resistor	> 10 ¹¹ Ohm
Protection class	IP 65
Installation	flowmeter dovetail guide

Method of operation, TEU007

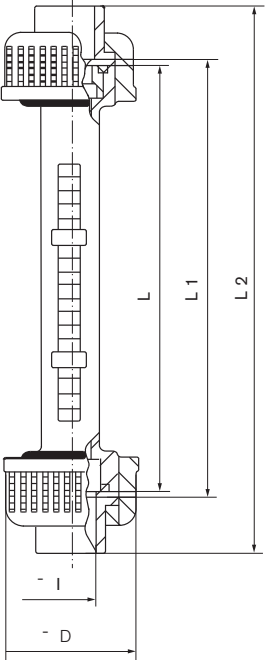
Version	Switching hysteresis [mm] float	Contact limit value closed, if float	open, if float	Float flow meter
min. contact	1 to 2	under contact	above contact	all sizes
max. contact	1 to 2	above contact	under contact	all sizes

Ordering chart for accessories

Version	Float flow rate balance	Item no.
min.	all sizes	770 460
max.	all sizes	770 461

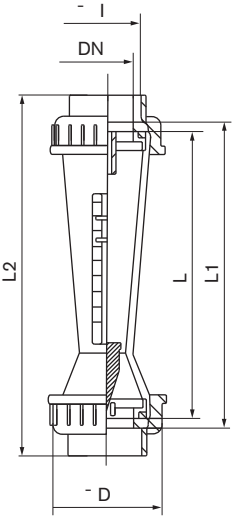
Dimensions [mm]

Overall length 165, 185, 200 mm



DN [mm]	Ø I (internal spigot) [mm]	L [mm]	L1 [mm]	L2 [mm]	Ø D [mm]
10	16	165	171	199	35
15	20	185	191	223	43
20	32	200	206	250	60

overall length 335, 350 mm



Measurement chart for overall length 335

DN [mm]	Ø I (Core) [mm]	D [mm]	L [mm]	L1 [mm]	L2 [mm]
25	32	60	335	341	385
32	40	72	335	341	393
40	50	83	335	341	403
50	63	103	335	341	417
65	75	122	335	341	429

Measurement chart for overall length 350

DN [mm]	Ø I (Core) [mm]	D [mm]	L [mm]	L1 [mm]	L2 [mm]
25	32	60	350	356	400
32	40	72	350	356	408
40	50	83	350	356	418
50	63	103	350	356	432
65	75	122	350	356	444

To find your nearest Bürkert facility, click on the orange box → www.burkert.com

In case of special application conditions, please consult for advice.

Subject to alterations
© Christian Bürkert GmbH & Co. KG

1511/3_EU-en_00895137