



Strainer

- Brass and stainless steel body
- Filter insert stainless steel
- Prevents malfunctions due to contaminated media

The dirt trap prevents malfunctions and extends the service life of downstream valves.

Technical data	
Brass material CW 617N	
Filter material (sieve)	Stainless steel 1.4305
Medium	Air, neutral gases, liquid
Medium temperature	-10 to +100 °C
Seal material	C-4400
Nominal pressure	10 bar (g) at + 20 °C
Stainless steel material 1.4408	
Filter material (sieve)	Stainless steel 1.4401
Media	Air, neutral gases, liquid
Medium temperature	-10 to +200 °C
Seal material	PTFE
Nominal pressure	40 bar (g)

Pressure values [bar]: overpressure with respect to atmospheric pressure

Other versions on request

Ordering charts

Brass body

Connection ISO 228/1	Orifice [mm]	Sieve μm	L [mm]	H [mm]	KV Flow range	Pressure level PN bar	Item no.	Item no. Replacement sieve
3/8"	10	400	55	40	3.41	20	783 671	788 904
1/2"	15	400	59	40	4.47	20	783 672	788 905
3/4"	20	400	70	50	7.85	20	783 673	788 906
1"	25	400	87	60	11.08	20	783 674	788 907
1 1/4"	32	500	96	68	16.0	20	783 675	788 908
1 1/2"	40	500	106	75	22.28	20	783 676	788 909
2"	50	500	136	90	25.37	20	783 677	788 910

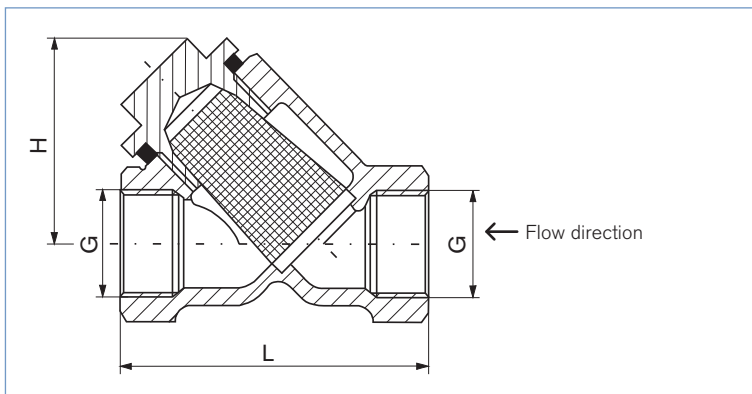
Replacement comes without seal cover.

Stainless steel body

Connection ISO 228/1	Orifice [mm]	Sieve μm	L [mm]	H [mm]	KV Flow range	Pressure level PN bar	Item no. Mesh size 0.5 mm	Item no. Mesh size 0.25 mm	Item no. Replacement sieve Mesh size 0.5 mm	Item no. Replacement sieve Mesh size 0.25 mm
1/4"	8	500	65	48	3.05	40	771 820	771 145	771 829	771 837
3/8"	10	500	65	48	3.41	40	789 890	771 822	771 830	771 838
1/2"	15	500	65	48	4.47	40	789 305	771 823	771 831	771 839
3/4"	20	500	80	50	7.85	40	789 741	771 824	771 832	771 840
1"	25	500	90	70	11.08	40	789 272	771 149	771 833	771 841
1 1/4"	32	500	105	74	16.0	40	789 273	771 826	771 834	771 842
1 1/2"	40	500	120	82	22.28	40	789 274	771 827	771 835	771 843
2"	50	500	140	95	25.37	40	771 100	771 828	771 836	771 844

Replacement comes with seal cover and O-ring for cleaning plug.

Dimensions [mm]



To find your nearest Bürkert facility, click on the orange box → www.burkert.com

In case of special application conditions, please consult for advice.

Subject to alteration.
© Christian Bürkert GmbH & Co. KG

1511/2_EU-en_00895235