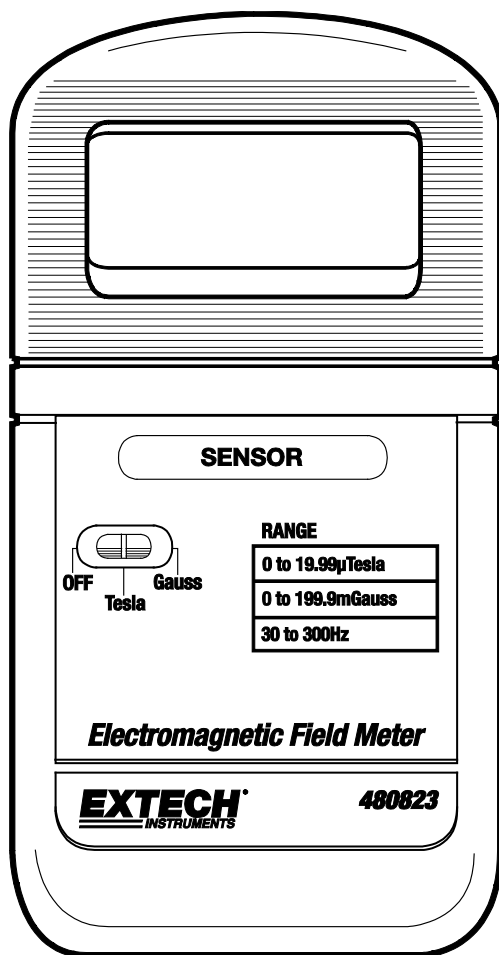


### Electromagnetic Field Meter

Model 480823



## Introduction

---

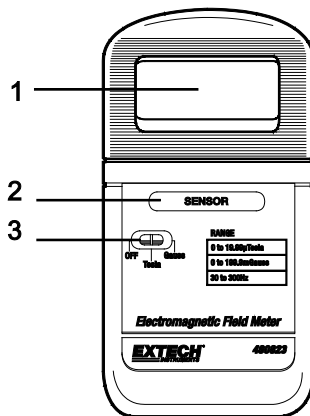
Congratulations on your purchase of Extech's Electromagnetic Field Meter, model 480823. This battery powered meter measures and displays EMF in Gauss and Tesla units with a frequency bandwidth of 30 to 300Hz. This professional meter, with proper care, will provide years of safe reliable service.

## Meter Description

---

1. LCD display
2. EMF Sensor
3. Power/Units switch

Note that the tilt-stand and battery compartment are located on the rear of the meter



## Meter Operation

---

1. Place the "OFF/Tesla/Gauss" Switch to the Gauss or Tesla position.
2. Move the meter's sensor slowly toward the device under test and read the LCD indication. If the LCD display is completely blank or if "LO BAT" appears on the left corner of the LCD, check the 9V battery (replace if necessary).
3. Notice that the field intensity reading increases as you move closer to a field.
4. Position the meter at different angles to the device under test and observe how this positioning affects the EMF readings.
5. Readings are in either milli Gauss (mGauss) or micro Tesla ( $\mu$ Tesla) depending on the switch setting.
6. Record the highest reading obtained from the various reading positions.
7. If the device under test is off, the EMF tester reading should go to zero unless another source of radiation is present.
8. If the meter's display indicates a "1" on the left side of the LCD, an overload condition exists. This indicates that the measured radiation is higher than the capability of the meter.

## EMF Exposure

---

The effect of EMF exposure on humans and animals is a modern day concern. At the time of this writing, to the best of our knowledge, no standards or recommendations exist regarding limits of EMF exposure. Until evidence suggests that there is not a health risk associated with EMF exposure, common sense would dictate that a practice of minimal exposure be exercised.

## Battery Replacement

---

When the low battery message "LO BAT" appears on the left corner of the LCD, the 9V battery has fallen to a critically low voltage level and should be replaced. The battery compartment cover is located at the bottom rear of the meter. Slide off the battery compartment cover, change the battery, and replace the compartment cover.



Never dispose of used batteries or rechargeable batteries in household waste.

As consumers, users are legally required to take used batteries to appropriate collection sites, the retail store where the batteries were purchased, or wherever batteries are sold.

**Disposal:** Do not dispose of this instrument in household waste. The user is obligated to take end-of-life devices to a designated collection point for the disposal of electrical and electronic equipment.

## Specifications

---

<b>Display</b>	13mm (0.5") 3-1/2 digit (1999 count) LCD with low battery and overload indication
<b>Measurement rate</b>	Approx. 0.4 seconds
<b>Maximum ranges and resolution</b>	19.99 $\mu$ Tesla (0.01) 199.9mGauss (0.1) NOTE: 1 $\mu$ Tesla = 10 milli-Gauss
<b>Accuracy</b>	$\pm$ (4% + 3 digits) @ 50/60Hz
<b>Frequency bandwidth</b>	30 to 300Hz (single axis measurements only)
<b>Over-range indication</b>	"1 ___" is displayed
<b>Operating Temperature/Humidity</b>	Temperature: 0 to 50°C (32 to 122°F) RH: 90% max. (0 to 35°C); 80% max. (35 to 50°C)
<b>Power source</b>	9V Battery
<b>Power consumption</b>	Approx. 3mA DC
<b>Dimensions</b>	131 x 70 x 25mm (5.2 x 2.8 x 1")
<b>Weight</b>	165g (0.36 lbs.)

Copyright © 2012-2016 FLIR Systems, Inc.

All rights reserved including the right of reproduction in whole or in part in any form

ISO-9001 Certified

[www.extech.com](http://www.extech.com)