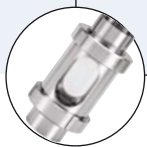


Sterile tank flange

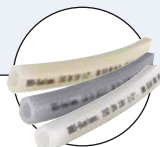


- Optimized design in accordance with the recommendations of the ASME BPE guidelines Bioprocess
- Guaranteed crevice free
- All medium contact materials traceable
- Component of the BBS modular system

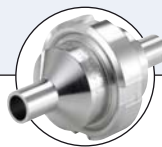
Hygienic Processing Components...



Type BBS-3F
Flow indicator



Type BBS-04
Silicone tube



Type BBS-10
Check valve



Type 2103
Diaphragm valve



Type 8221
Conductivity sensor



Type 8650
Process Automation

The BBS Sterile tank flange is a crevice free connection designed especially for high process security in sterile applications. It is available in all standard dimensions and can be fitted with norm O-Rings thus offering a wide choice of materials.

These flanges have a very compact design which supports efficient energy use during heating and cooling processes.

These sterile flanges are just one component of the BBS Sterile range of products which are highly recommended for all Hygienic Processing applications.

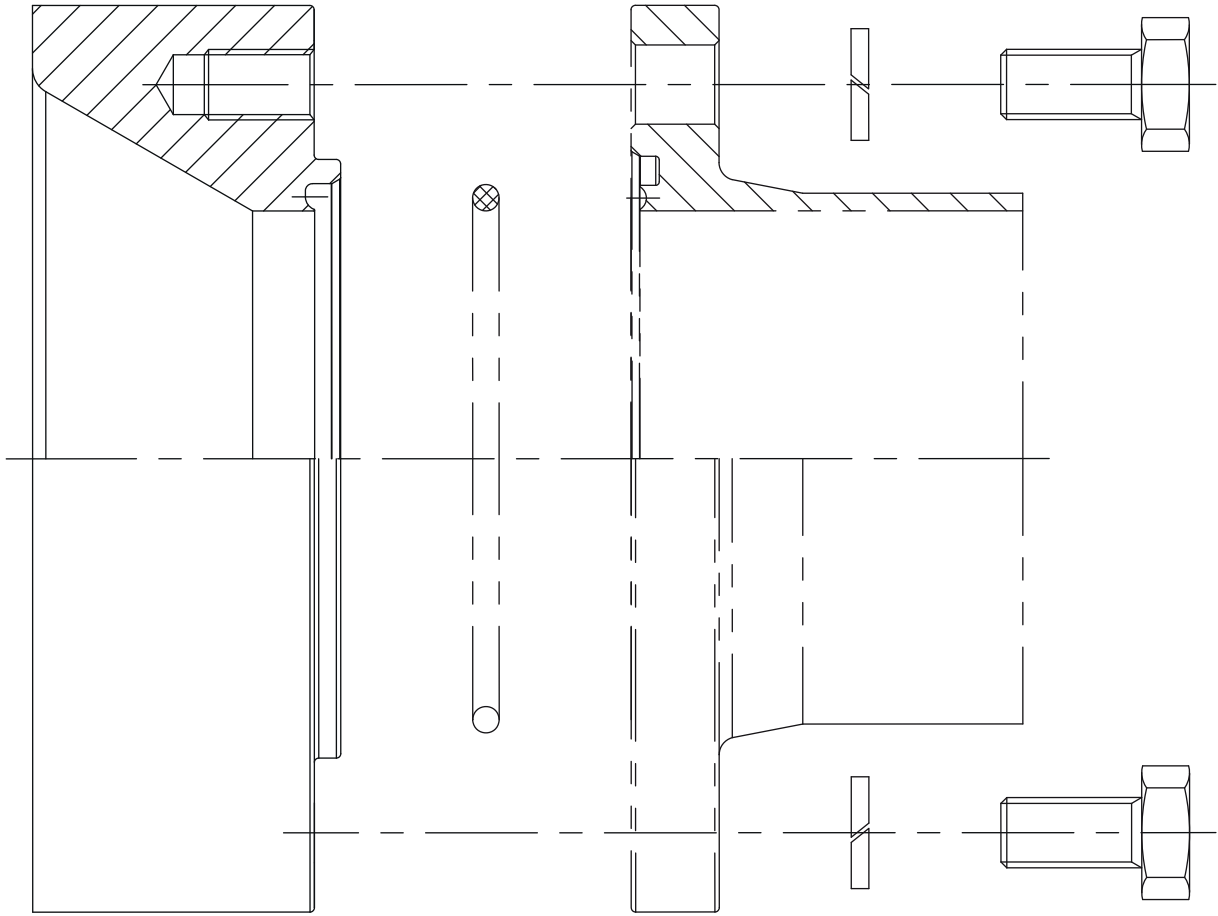
Technical data

Available standard sizes	ISO DN08 to DN100 DIN DN10 to DN100 BS-OD DN1/2" up to DN4"
Material medium contact	Stainless steel 1.4435 BN2 (316L) Special materials like e.g. Hastelloy 2.4602, Titanium, 1.4539 etc. on request
Material medium separated	1.4305 or equivalent
Seals	O-Ring, EPDM, PTFE, Special sealing materials e.g. Silicone, pure PTFE etc. on request
Surface quality	Medium contacted surface < Ra 0,8µm, electro polished, finer surface on request
Operating temperature	EPDM seal material: -40°C to 90°C, temporary to 140°C FEP seal material: -60°C to 160°C, temporary to 205°C
Ambient temperature	-20 to +80 °C
Media	Gases or liquids
Operating pressure	-1 to +16 bar (depending on temperature) tank flange flow indicators -1 to +8 bar
Certifications	Material 3.1, FDA, USP VI

Applications

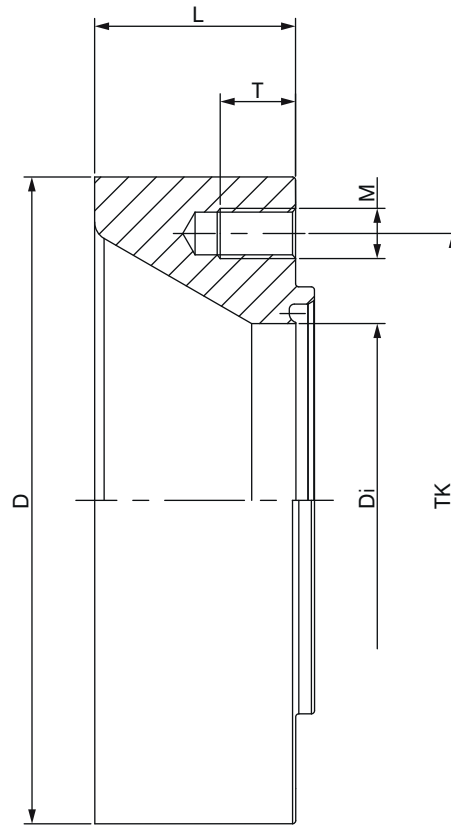
- Biotechnology
- Pharmaceutical
- Chemical industry
- Dairy
- Food
- Cosmetic

Tank flange suitable for BBS-06 Sterile flange



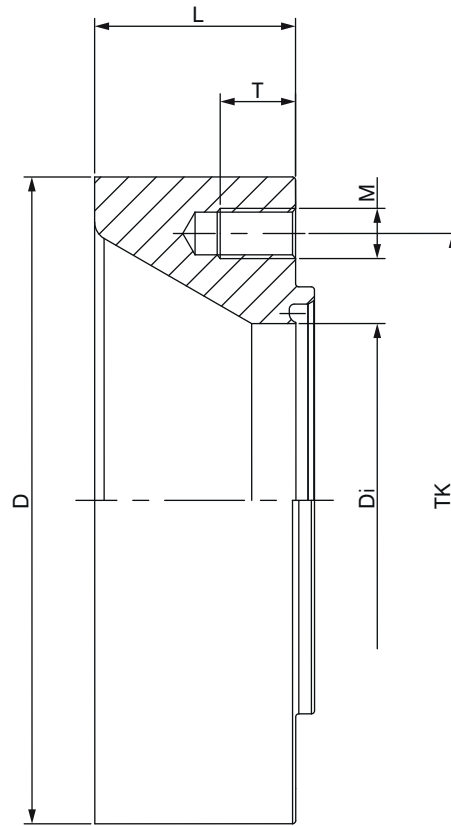
Assembly nuts, bolts and washers and the O-Ring are not supplied a standard. For suitable parts please see our data sheet BBS-06.

Dimension [mm] Tank flange suitable for BBS-06 Sterile flange



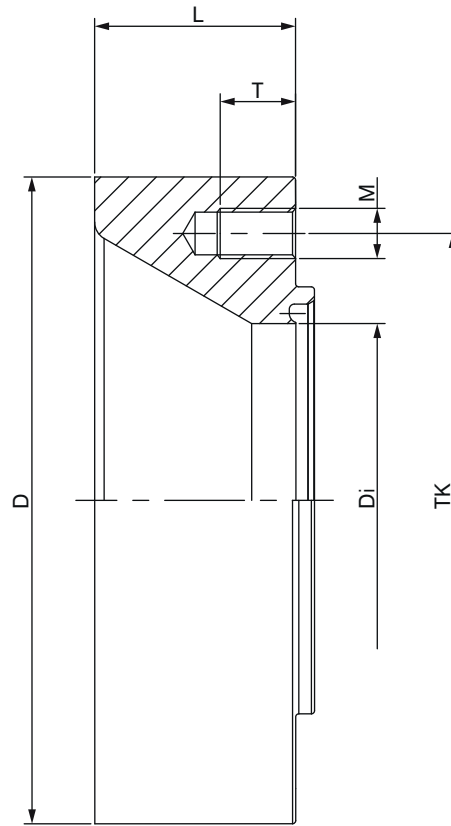
Orifice	D [mm]	Di [mm]	TK [mm]	L [mm]	T [mm]	M [mm]	Item no.	
ISO Dimensions Sterile tank flange								
DN08	54,00	10,30	37,00	20,00	12,00	4xM08	BBS-07-ZD.Z08.Z00.35.0	(733 648)
DN10	59,00	14,00	42,00	20,00	12,00	4xM08	BBS-07-ZD.Z10.Z00.35.0	(733 651)
DN15	62,00	18,10	45,00	20,00	12,00	4xM08	BBS-07-ZD.Z15.Z00.35.0	(733 667)
DN20	69,00	23,70	52,00	20,00	12,00	4xM08	BBS-07-ZD.Z20.Z00.35.0	(733 676)
DN25	74,00	29,70	57,00	25,00	15,00	4xM08	BBS-07-ZD.Z25.Z00.35.0	(733 683)
DN32	82,00	38,40	65,00	32,00	15,00	4xM08	BBS-07-ZD.Z32.Z00.35.0	(733 692)
DN40	88,00	44,30	71,00	32,00	18,00	4xM08	BBS-07-ZD.Z40.Z00.35.0	(733 701)
DN50	103,00	56,30	85,00	32,00	18,00	4xM08	BBS-07-ZD.Z50.Z00.35.0	(733 716)
DN65	125,00	72,10	104,00	38,00	18,00	8xM10	BBS-07-ZD.Z65.Z00.35.0	(733 730)
DN80	137,00	84,30	116,00	38,00	18,00	8xM10	BBS-07-ZD.Z80.Z00.35.0	(733 742)
DN100	168,00	109,70	146,00	38,00	18,00	8xM10	BBS-07-ZD.Z100.Z00.35.0	(733 661)

Dimension [mm] Tank flange suitable for BBS-06 Sterile flange



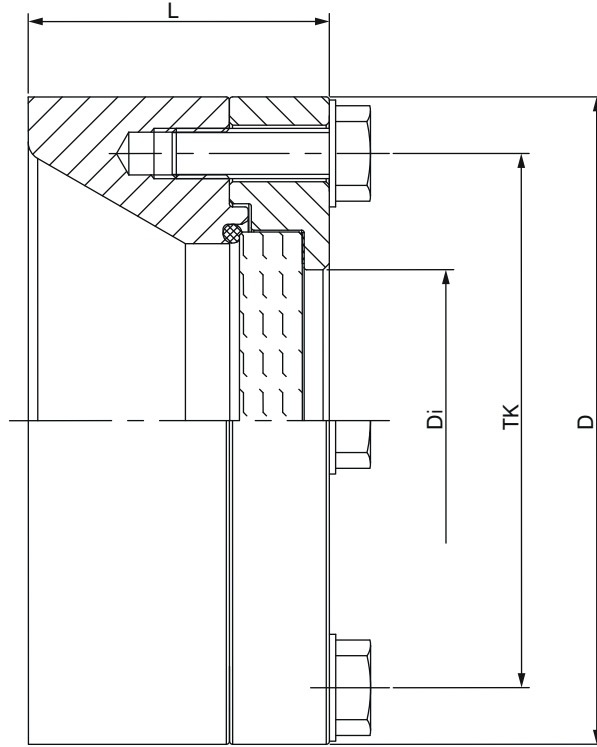
Orifice	D [mm]	Di [mm]	TK [mm]	L [mm]	T [mm]	M [mm]	Item no.	
DIN Dimensions Sterile tank flange								
DN10	54,00	10,00	37,00	20,00	12,00	4xM08	BBS-07-ZD.F10.F00.35.0	(on request)
DN15	59,00	16,00	45,00	20,00	12,00	4xM08	BBS-07-ZD.F15.F00.35.0	(on request)
DN20	59,00	20,00	45,00	20,00	12,00	4xM08	BBS-07-ZD.F20.F00.35.0	(on request)
DN25	70,00	26,00	53,00	25,00	15,00	4xM08	BBS-07-ZD.F25.F00.35.0	(on request)
DN32	82,00	32,00	65,00	32,00	15,00	4xM08	BBS-07-ZD.F32.F00.35.0	(on request)
DN40	82,00	38,00	65,00	32,00	18,00	4xM08	BBS-07-ZD.F40.F00.35.0	(on request)
DN50	94,00	50,00	77,00	32,00	18,00	4xM08	BBS-07-ZD.F50.F00.35.0	(on request)
DN65	113,00	66,00	95,00	38,00	18,00	8xM10	BBS-07-ZD.F65.F00.35.0	(on request)
DN80	133,00	81,00	112,00	38,00	18,00	8xM10	BBS-07-ZD.F80.F00.35.0	(on request)
DN100	159,00	100,00	137,00	38,00	18,00	8xM10	BBS-07-ZD.F100.F00.35.0	(on request)

Dimension [mm] Tank flange suitable for BBS-06 Sterile flange



Orifice	D [mm]	Di [mm]	TK [mm]	L [mm]	T [mm]	M [mm]	Item no.	
BS-OD Dimensions Sterile tank flange								
DN1/2"	54,00	9,40	37,00	20,00	12,00	4xM08	BBS-07-ZD.M05.M00.35.0	(on request)
DN3/4"	59,00	15,75	42,00	20,00	12,00	4xM08	BBS-07-ZD.M07.M00.35.0	(on request)
DN1"	66,00	22,10	49,00	25,00	12,00	4xM08	BBS-07-ZD.M10.M00.35.0	(on request)
DN1 1/2"	79,00	38,10	62,00	25,00	15,00	4xM08	BBS-07-ZD.M15.M00.35.0	(on request)
DN2"	92,00	50,80	75,00	32,00	18,00	4xM08	BBS-07-ZD.M20.M00.35.0	(on request)
DN2 1/2"	107,00	60,20	65,00	32,00	18,00	8xM10	BBS-07-ZD.M20.M00.35.0	(on request)
DN3"	125,00	72,90	104,00	32,00	18,00	8xM10	BBS-07-ZD.M30.M00.35.0	(on request)
DN4"	157,00	97,38	135,00	38,00	18,00	8xM10	BBS-07-ZD.M40.M00.35.0	(on request)

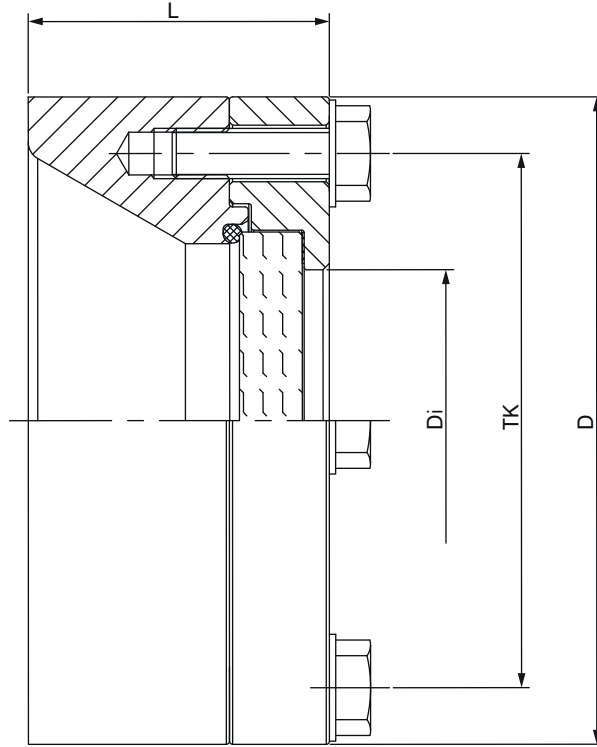
Dimensions [mm] Sterile tank flange sight glass



Orifice	D [mm]	Di [mm]	TK [mm]	L [mm]	Item no. EPDM	FEP seal material:
ISO Dimensions Sterile tank flange sight glass						
DN08	54,00	6,00	37,00	30,00	BBS-07-GL.Z08.Z00.35.0 (on request)	BBS-07-GL.Z08.Z00.35.3 (on request)
DN10	59,00	8,00	42,00	30,00	BBS-07-GL.Z10.Z00.35.0 (on request)	BBS-07-GL.Z10.Z00.35.3 (on request)
DN15	62,00	12,00	45,00	30,00	BBS-07-GL.Z15.Z00.35.0 (on request)	BBS-07-GL.Z15.Z00.35.3 (on request)
DN20	69,00	17,00	52,00	30,00	BBS-07-GL.Z20.Z00.35.0 (on request)	BBS-07-GL.Z20.Z00.35.3 (on request)
DN25	74,00	22,00	57,00	40,00	BBS-07-GL.Z25.Z00.35.0 (on request)	BBS-07-GL.Z25.Z00.35.3 (on request)
DN32	82,00	30,00	65,00	47,00	BBS-07-GL.Z32.Z00.35.0 (734 320)	BBS-07-GL.Z32.Z00.35.3 (on request)
DN40	88,00	36,00	71,00	47,00	BBS-07-GL.Z40.Z00.35.0 (on request)	BBS-07-GL.Z40.Z00.35.3 (on request)
DN50	103,00	48,00	85,00	47,00	BBS-07-GL.Z50.Z00.35.0 (734 324)	BBS-07-GL.Z50.Z00.35.3 (on request)
DN65	125,00	65,00	104,00	58,00	BBS-07-GL.Z65.Z00.35.0 (734 328)	BBS-07-GL.Z65.Z00.35.3 (on request)
DN80	137,00	70,00	116,00	58,00	BBS-07-GL.Z80.Z00.35.0 (734 332)	BBS-07-GL.Z80.Z00.35.3 (on request)
DN100	168,00	100,00	146,00	63,00	BBS-07-GL.Z100.Z00.35.0 (734 316)	BBS-07-GL.Z100.Z00.35.3 (on request)

Also available with glass protection guard on request

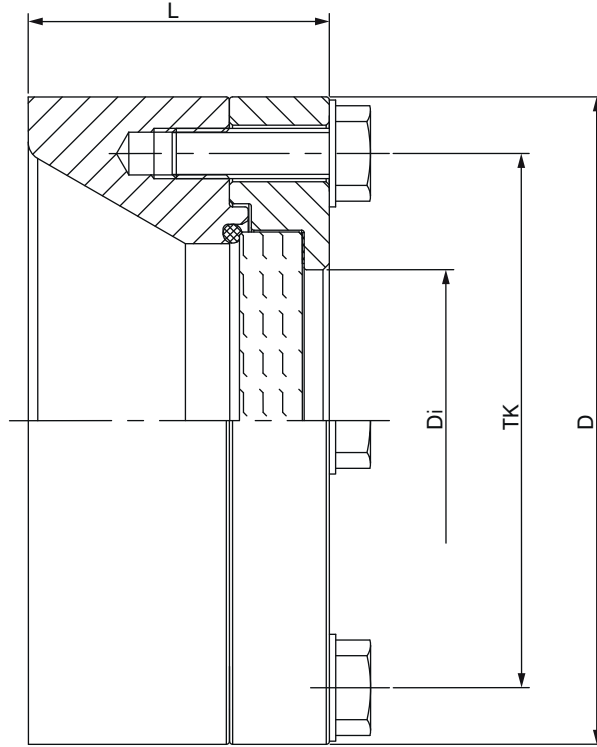
Dimensions [mm] Sterile tank flange sight glass



Orifice	D [mm]	Di [mm]	TK [mm]	L [mm]	Item no. EPDM		Item no. FEP		
DIN Dimensions Sterile tank flange sight glass									
DN10	54,00	6,00	37,00	30,00	BBS-07-GL.F10.F00.35.0	(on request)	BBS-07-GL.F10.F00.35.3	(on request)	
DN15	59,00	10,00	45,00	30,00	BBS-07-GL.F15.F00.35.0	(on request)	BBS-07-GL.F15.F00.35.3	(on request)	
DN20	70,00	19,00	53,00	40,00	BBS-07-GL.F20.F00.35.0	(on request)	BBS-07-GL.F20.F00.35.3	(on request)	
DN25	82,00	24,00	65,00	47,00	BBS-07-GL.F25.F00.35.0	(on request)	BBS-07-GL.F25.F00.35.3	(on request)	
DN32	82,00	30,00	65,00	47,00	BBS-07-GL.F32.F00.35.0	(on request)	BBS-07-GL.F32.F00.35.3	(on request)	
DN40	94,00	42,00	77,00	47,00	BBS-07-GL.F40.F00.35.0	(on request)	BBS-07-GL.F40.F00.35.3	(on request)	
DN50	113,00	58,00	95,00	58,00	BBS-07-GL.F50.F00.35.0	(on request)	BBS-07-GL.F50.F00.35.3	(on request)	
DN65	133,00	70,00	112,00	58,00	BBS-07-GL.F65.F00.35.0	(on request)	BBS-07-GL.F65.F00.35.3	(on request)	
DN80	159,00	90,00	137,00	63,00	BBS-07-GL.F80.F00.35.0	(on request)	BBS-07-GL.F80.F00.35.3	(on request)	
DN100	168,00	100,00	146,00	63,00	BBS-07-GL.F100.F00.35.0	(on request)	BBS-07-GL.F100.F00.35.3	(on request)	

Also available with glass protection guard on request

Dimensions [mm] Sterile tank flange sight glass



Orifice	D [mm]	Di [mm]	TK [mm]	L [mm]	Item no. EPDM		Item no. FEP		
BS-OD Dimensions Sterile tank flange sight glass									
DN1/2"	54,00	5,00	37,00	30,00	BBS-07-GL.M05.M00.35.0	(on request)	BBS-07-GL.M05.M00.35.3	(on request)	
DN3/4"	59,00	10,00	42,00	30,00	BBS-07-GL.M07.M00.35.0	(on request)	BBS-07-GL.M07.M00.35.3	(on request)	
DN1"	66,00	16,00	49,00	40,00	BBS-07-GL.M10.M00.35.0	(on request)	BBS-07-GL.M10.M00.35.3	(on request)	
DN1 1/2"	79,00	30,00	62,00	40,00	BBS-07-GL.M15.M00.35.0	(on request)	BBS-07-GL.M15.M00.35.3	(on request)	
DN2"	92,00	42,00	75,00	47,00	BBS-07-GL.M20.M00.35.0	(on request)	BBS-07-GL.M20.M00.35.3	(on request)	
DN2 1/2"	107,00	52,00	65,00	47,00	BBS-07-GL.M20.M00.35.0	(on request)	BBS-07-GL.M20.M00.35.3	(on request)	
DN3"	125,00	62,00	104,00	47,00	BBS-07-GL.M30.M00.35.0	(on request)	BBS-07-GL.M30.M00.35.3	(on request)	
DN4"	157,00	85,00	135,00	63,00	BBS-07-GL.M40.M00.35.0	(on request)	BBS-07-GL.M40.M00.35.3	(on request)	

Also available with glass protection guard on request

To find your nearest Bürkert facility, click on the orange box → www.burkert.com

In case of special application conditions, please consult for advice.

Subject to alterations
© Christian Bürkert GmbH & Co. KG

1204/0_EU-en_00895174